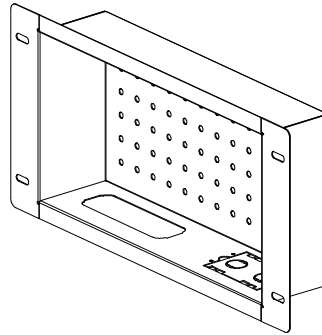


**CMBBLWH**  
AV IN WALL BOX, LARGE



**CMBBSWH**  
AV IN WALL BOX, SMALL

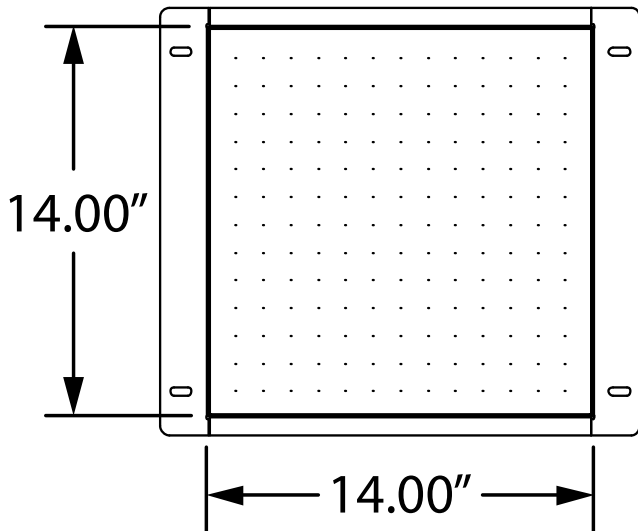
**Parts Included:**

- (1) - 1" X 5" CABLE BEZEL
- (2) - RELEASABLE PUSH MOUNT CABLE TIE

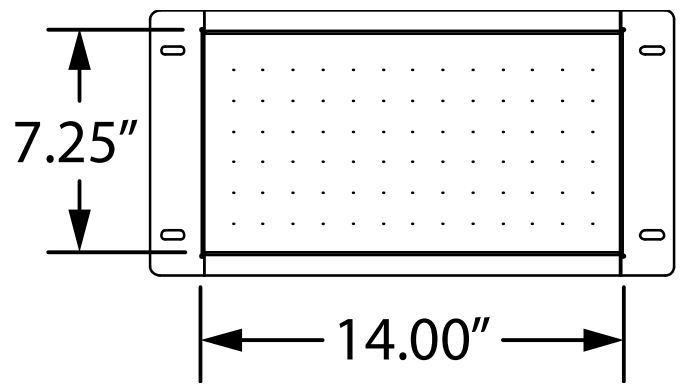
**Tools Needed:**

- Tape Measure
- Stud finder ("edge to edge" stud finder recommended)
- Drywall saw
- Steel cutting tool (for Knock-Out removal)
- Mounting hardware (not included)

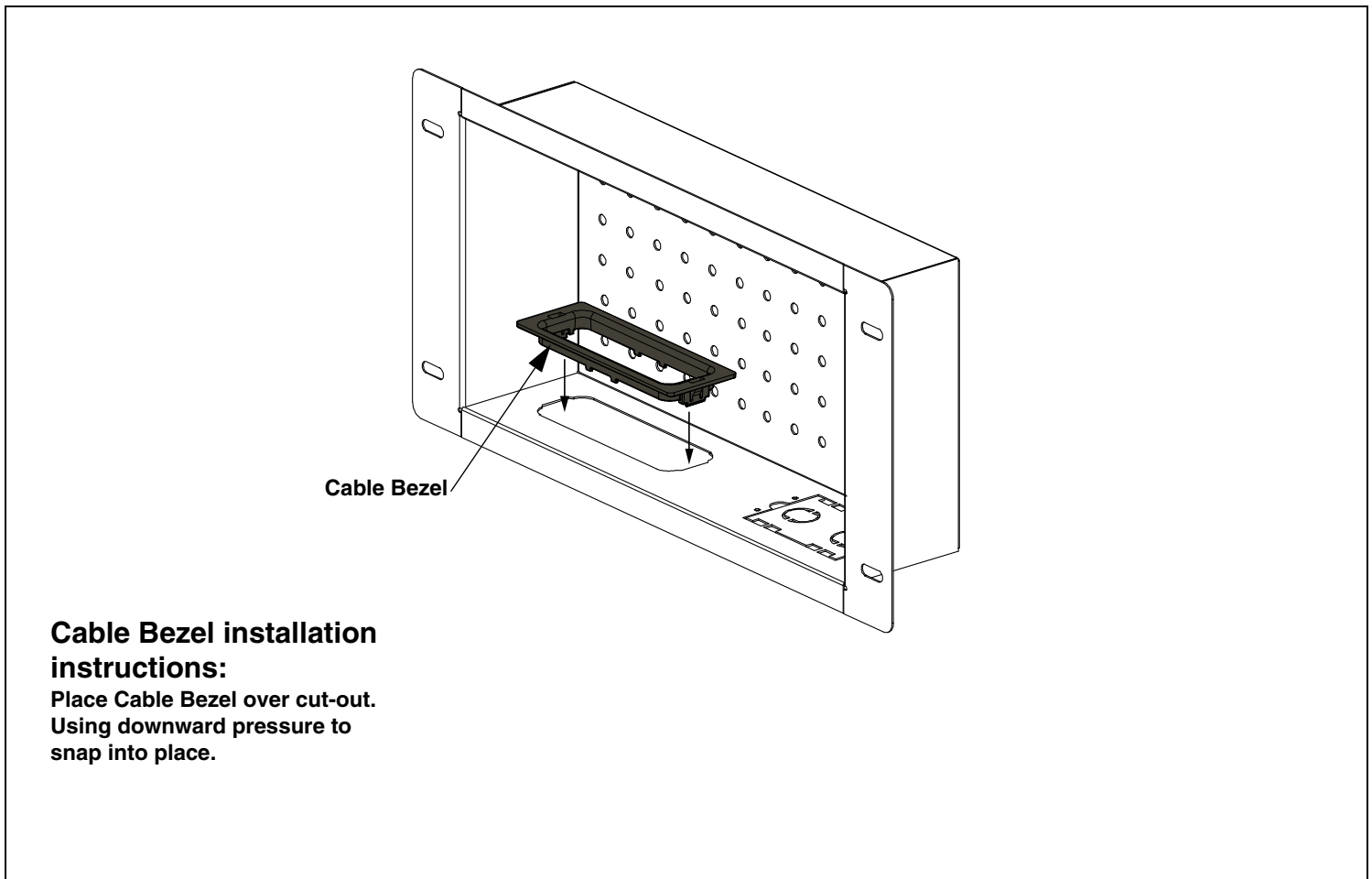
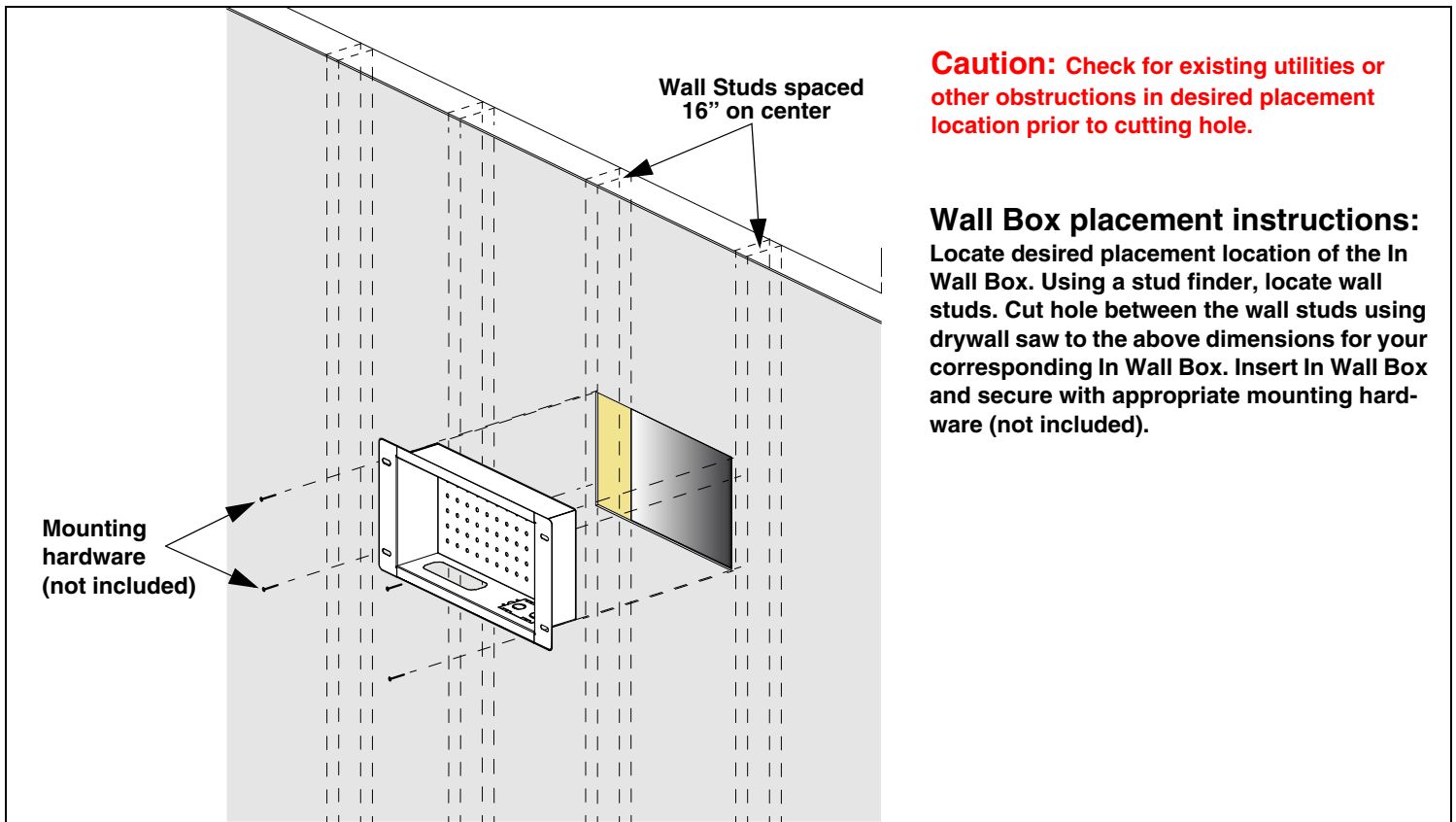
### Wall cut-out Dimensions



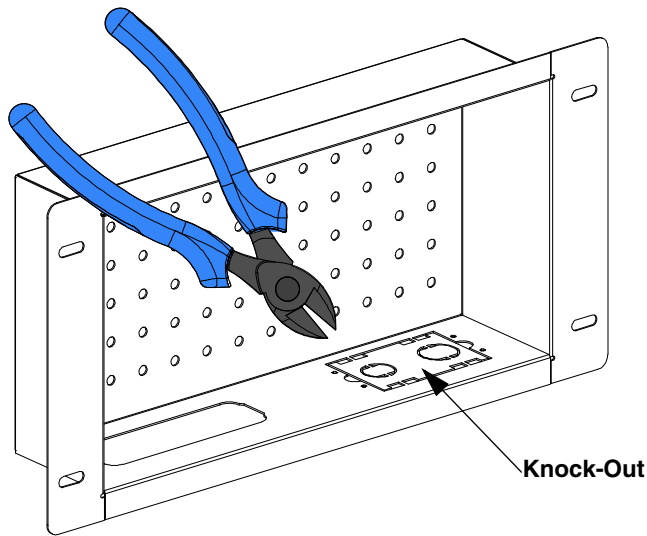
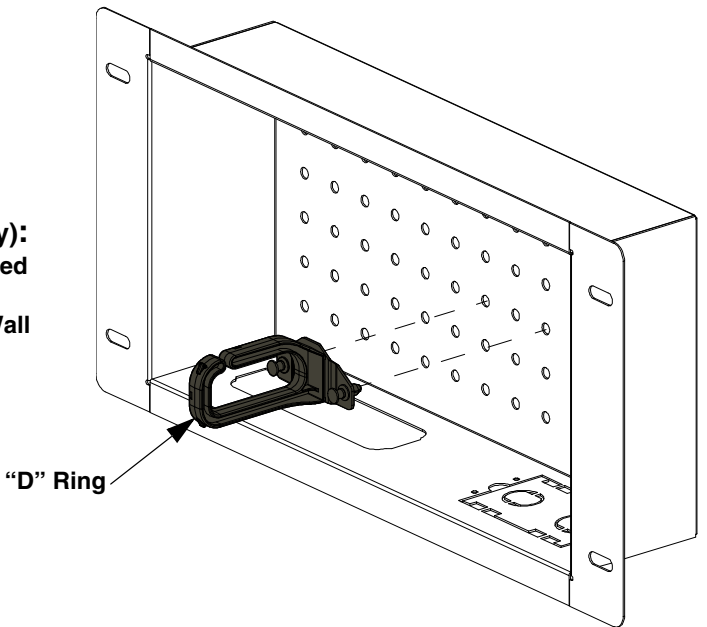
**CMBBLWH**  
Back View



**CMBBSWH**  
Back View



**“D” Ring Installation**  
**(CMBBCMR sold separately):**  
 Insert push pins into the desired hole location and engage the push pins to secure to the In Wall Box.



**Knock-Out removal for power:**  
 Use cutting tool to cut the tabs around desired knock-out you want to remove. (ex. 3/4" or 1" conduit or power outlet.)

**Media Box Installation**  
**(Using Bracket Kit CMBBRKT sold separately):**  
 Apply foam tape (supplied with bracket kit) to the back of the Media Box. Insert the Bracket push pins into the desired location and engage the push pins to secure to the In Wall Box. Slide Media Box into tak-tape and tighten tak-tape around Media Box.

