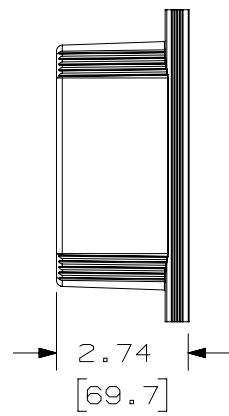
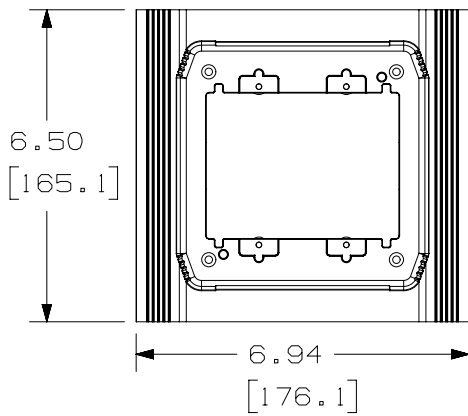
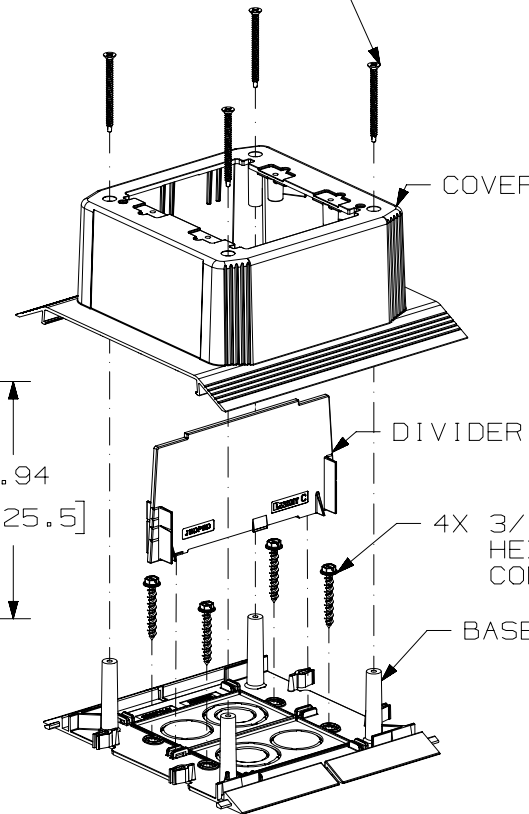


THIS COPY IS PROVIDED ON A RESTRICTED BASIS AND IS NOT TO BE USED IN ANY WAY DETRIMENTAL TO THE INTERESTS OF PANDUIT CORP.

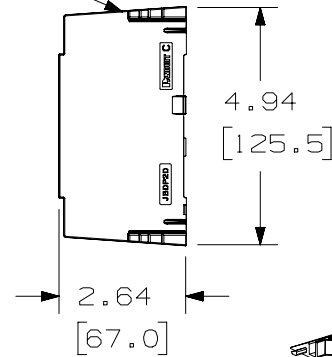


4X #6-20 1-3/4"
BINATION HEAD
SCREW

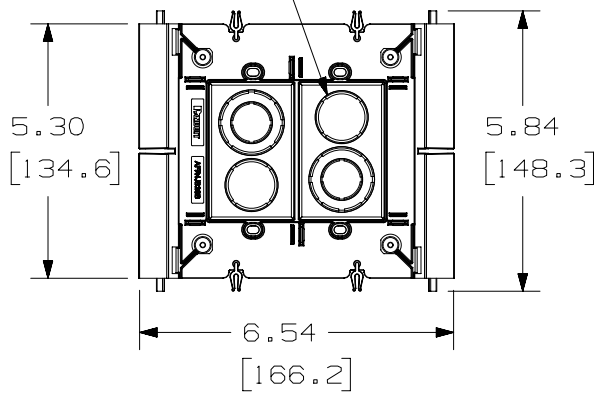


- NOTES:
- VISIT OUR ON-LINE CATALOG AT WWW.PANDUIT.COM FOR A LIST OF CURRENT PARTS APPLICABLE FOR USE WITH THIS PRODUCT.
 - DIMENSIONS IN [] ARE METRIC.
 - WEIGHT: 0.5-lb (0.23-kg)
 - PART INCLUDES:
 - 1- COVER
 - 1- DIVIDER
 - 1- BASE
 - 4- #6-20 1-3/4" BINATION HEAD SCREWS
 - 4- 3/16" X 1-1/4" HEX WASHER HEAD CONCRETE SCREW
 - CONCENTRIC BREAKOUTS TO ACCOMMODATE CONDUIT SIZES OF 1/2", 3/4", AND 1" DIAMETERS.
 - DIVIDER PROVIDES POWER AND DATA SEPARATION IMMEDIATELY FROM RACEWAY.
 - RoHS COMPLIANT, UL 94V-0 MATERIAL

SEE NOTE 6



SEE NOTE 5



**	COLOR
IW	OFF-WHITE
BL	BLACK
OS	OFFICE SLATE

PART NUMBER		AFR4JB2S**		
TITLE		ABOVE FLOOR RACEWAY 4-CHANNEL DOUBLE GANG JUNCTION BOX		
		CUSTOMER DRAWING		
ITEM REVISION NAME		00064EAC/00		
DATASET FILE NAME		00064EAC_DC/00A		
MATERIAL		PVC		
DRAWING NUMBER		00064EAC-DC		
THIRD ANGLE PROJECTION				
REV	DATE	BY	CHK	APR
00A	8-24-17	BJN	ROJC	AMY
DESCRIPTION		RELEASED TO PRODUCTION		
ECN	00064EAC-DC			
DRAWN BY	DATE	CHK	SCALE	
BJN	8-24-17	ROJC	NONE	
SHEET 1 OF 1		A		

A-SIZE CUSTOMER