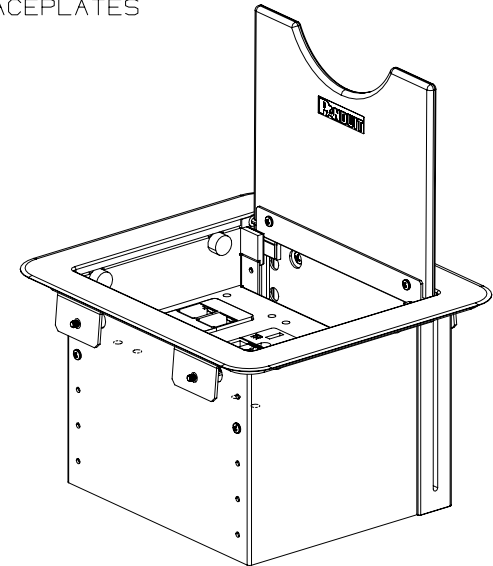
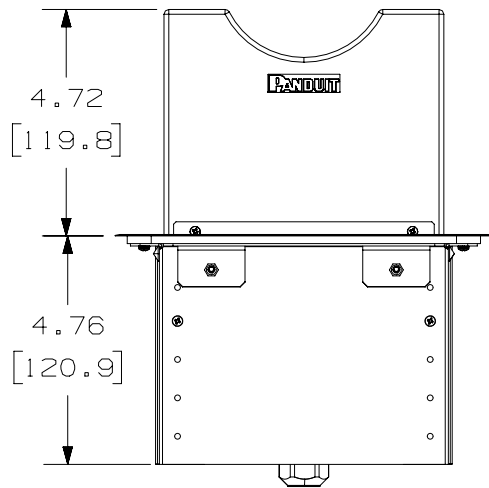
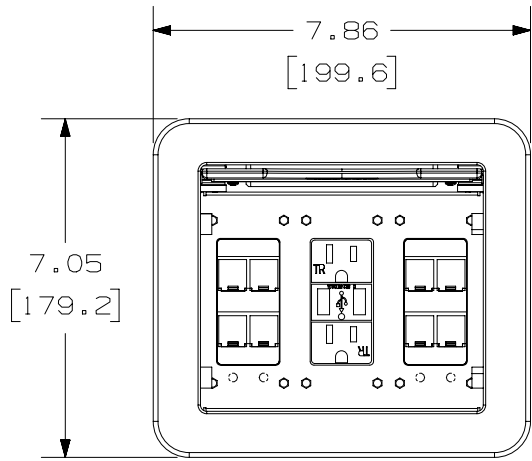
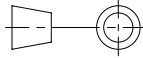


THIS COPY IS PROVIDED ON A RESTRICTED BASIS AND IS NOT TO BE USED IN ANY WAY DETRIMENTAL TO THE INTERESTS OF PANDUIT CORP.



NOTES:

1. VISIT OUR ON-LINE CATALOG AT WWW.PANDUIT.COM FOR A LIST OF CURRENT PARTS APPLICABLE FOR USE WITH THIS PRODUCT.
2. DIMENSIONS IN [] ARE METRIC.
3. ALL MATERIALS AND COMPONENTS USED MEET THE MATERIAL RESTRICTIONS OF RoHS (EUROPEAN DIRECTIVE 2011/65/EU ON THE RESTRICTION OF HAZARDOUS SUBSTANCES) AS PROPOSED BY THE RoHS TECHNICAL ADAPTATION COMMITTEE.
4. WEIGHT: 5.15 LBS (2.3 kg)/1 P C
5. PART INCLUDES:
 - 1- TABLE TOP BOX
 - 1- UL/cUL LISTED POWER MODULE w/12 AMP AC CAPACITY AND (2) TYPE A USB 2.0 5VDC 3AMP, 9.5 FT POWER CORD
 - 2- MINI-COM™ FACEPLATES
 - 2- NETKEY™ FACEPLATES

| | | | | | | |
|---|--------|---------------------------|-----|-----|------------------------|-------------|
| PART NUMBER | | PND100 | | | | |
| TITLE | | TABLE TOP BOX, CABLE NOOK | | | | |
| | | CUSTOMER DRAWING | | | | |
| ITEM REVISION NAME | | 00101EBJ/00 | | | | |
| DATASET FILE NAME | | 00101EBJ_DC/00A | | | | |
|  | | THIRD ANGLE PROJECTION | | | | |
| MATERIAL | | SEE NOTE 5 | | | | |
| | | DRAWING NUMBER | | | | |
| | | 00101EBJ-DC | | | | |
| 00A | 4-9-18 | BJN | JCO | AMY | RELEASED TO PRODUCTION | 00101EBJ-DC |
| REV | DATE | BY | CHK | APR | DESCRIPTION | ECN |
| | | | | | | |

A-SIZE CUSTOMER