

## 4K HDR SDVoE Receiver for PRO5 Matrix Switcher

AT-PRO5-101-RX



The Atlona **AT-PRO5-101-RX** is an AV extension receiver, featuring SDVoE® 10GbE connectivity for receiving ultra-high definition video and audio from the AT-PRO5-MX810 matrix switcher. Part of the PRO5 Series, the PRO5-101-RX is HDCP 2.3 compliant, and supports 4K/60 4:4:4 and HDR at HDMI data rates up to 18 Gbps. It features an RJ45 port, and an SFP+ cage for copper or fiber optic connectivity to receive video, embedded audio, Gigabit Ethernet, and RS-232 and IR control signals from the matrix switcher. The RJ45 port allows extension up to 330 feet (100 meters) over CAT6a UTP cable, along with PoE for powering the PRO5-101-RX, while the SFP+ cage can be used with a compatible fiber optic module to extend from 38 meters up to 10 kilometers over fiber optic cable. The PRO5-101-RX SDVoE receiver, together with the PRO5-MX810 HDMI to SDVoE matrix switcher, is ideal for a wide range of commercial applications requiring multi-zone AV distribution with long-distance signal extension.

### Package Contents

- 1 x AT-PRO5-101-RX
- 1 x 3-pin captive screw connector
- 2 x 5-pin captive screw connectors
- 1 x Insert w/ QR code

## Front Panel Descriptions



### 1 LED Indicators

Displays the current state of the unit:

- **POWER** - LED will be green when the unit is powered.
- **STATUS** - LED will be solid green when the signal is encrypted with HDCP. If the signal is not encrypted, the LED will blink green. If no video signal is detected, then the LED will be off.
- **VIDEO** - LED will be solid green when video is passing through the AT-PRO5-SC-RX.
- **LINK** - LED will be solid green when a link has been established with AT-PRO5-MX810.
- **RJ45** - LED will be solid green when the RJ45 port is being used.
- **SFP+** - LED will be solid green when an SFP+ module is being used.

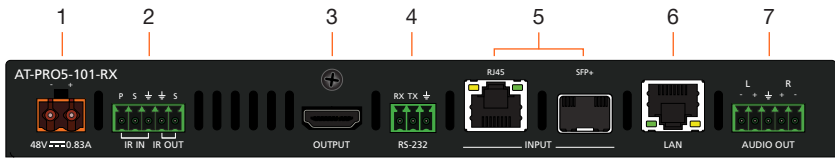
### 2 RESET

Press this recessed button, using a paperclip or other small object, to perform a factory-reset on the unit.

### 3 SET

These DIP switches control the function of both the **RJ45** and **SFP+** port. Refer to [DIP Switch Settings \(page 4\)](#) for more information.

## Rear Panel Descriptions



### 1 48V / 0.83A

Connect the included 48 V / 0.83 A power supply from this port to an available AC electrical outlet. Note that the power supply is optional when using the SFP+ port.

### 2 IR IN / IR OUT

Connect one of the included 5-pin captive screw connectors to this port. Refer to [IR IN / IR OUT \(page 6\)](#) for wiring information.

### 3 OUTPUT

Connect an HDMI cable from this port to a display.

### 4 RS-232

Connect the included 3-pin captive screw connector to this port.

### 5 INPUT

Connect these inputs from the AT-PRO5-MX810, based on the desired extension method. Note that both **RJ45** and **SFP+** port cannot be used at the same time.

- **RJ45** - Provides extension up to 330 feet (100 meters) over CAT6A/7 cable along with Power over Ethernet (PoE).
- **SFP+**  
When used with compatible fiber optic transceiver modules, this port provides extension from 38 meters (125 feet) up to 10 kilometers (6.2 miles) over fiber optic cable.

### 6 LAN

Connect an Ethernet cable from this port to the network.

### 7 AUDIO OUT

Connect the included 5-pin captive screw connector from this port to an amplifier.

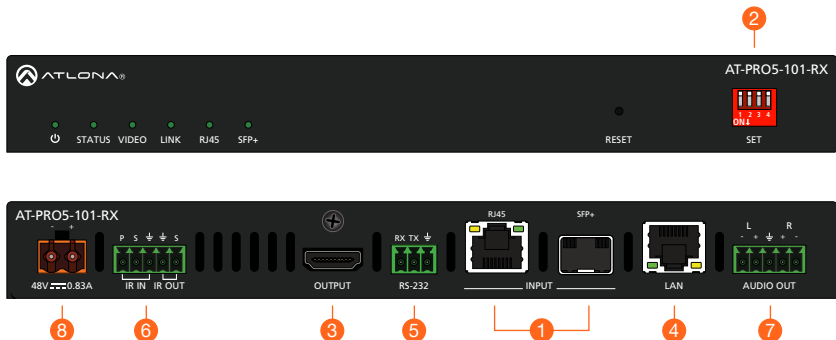
## Installation

- Connect these **INPUT** ports from the **EXT 1 - EXT 8** ports on the AT-PRO5-MX810. Note that both **RJ45** and **SFP+** port cannot be used at the same time.
- Optional: Adjust the DIP switches to the desired setting. By default, they are configured to Auto mode, which automatically detects the correct extension type on the back panel. Refer to the DIP Switch Settings table below
  - RJ45** - Connect CAT6a/7 cabling up to 330 feet (100 meters) to AT-PRO5-101-RX scaling receivers or AT-PRO5-101-RX receivers.
  - SFP+** - Fiber optic transceiver modules extend from 38 meters up to 10 kilometers over fiber optic cable. Refer to [Compatible Transceivers \(page 4\)](#) for more information.
- Connect an HDMI cable from the **OUTPUT** port to a display.
- Connect an Ethernet cable from the **LAN** port to the Local Area Network (LAN).
- Connect the included 3-pin captive screw connector from the **RS-232** port to the display, if using RS-232 to control the display. Refer to [RS-232 \(page 5\)](#) for more information.
- Connect a 3.5 mm jack from the control system to the **IR IN** ports. Connect IR emitters from the **IR OUT** ports to controlled devices.
- Connect the included 5-pin captive screw connectors from these **AUDIO OUT** ports to an amplifier. Refer to [AUDIO OUT \(page 5\)](#) for more information.
- Optional: Connect the power supply to the **48V / 0.83A** receptacle.

## DIP Switch Settings

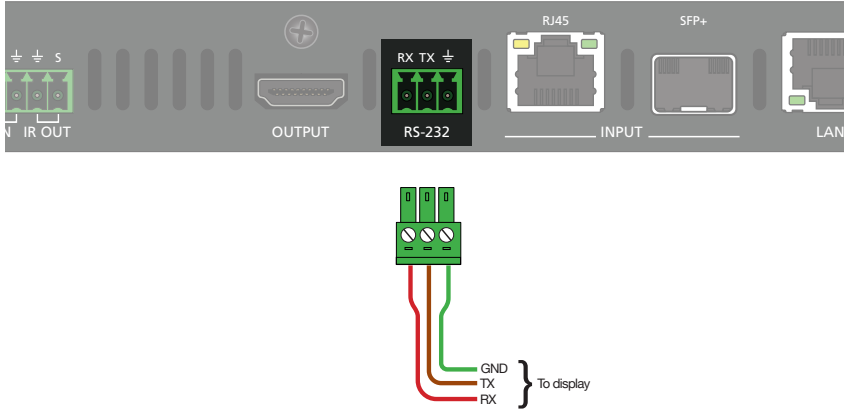
Function	SW 1	SW 2	SW 3	SW 4
Auto	Up	Up	-	-
10Gb	Up	Down	-	-
SFP+	Down	Down	-	-
Ethernet Pass-Through	-	-	Up	-
Ethernet Control	-	-	Down	-

*NOTE: The “-” symbol indicates that the switch can be in either up or down for that function.*



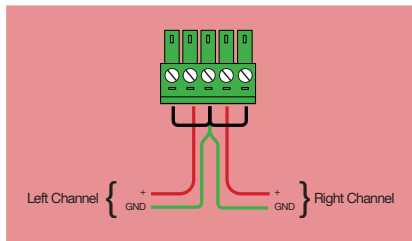
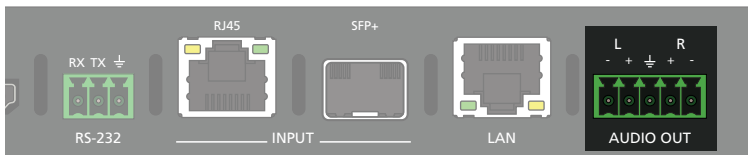
### RS-232

Connect the RS-232 cable between the **RS-232** port on the AT-PRO5-101-RX and the display. Use the included 3-pin captive screw connector to wire the RS-232 cable as shown.

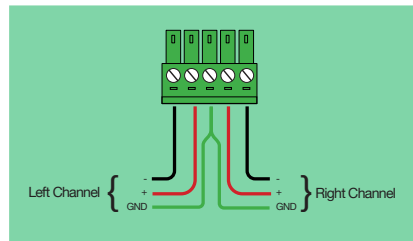


### AUDIO OUT

Each **AUDIO OUT** port can be wired for either unbalanced or balanced output. For unbalanced audio connections, both negative terminals should be connected to ground. Wire the included 5-pin captive screw connectors as shown.



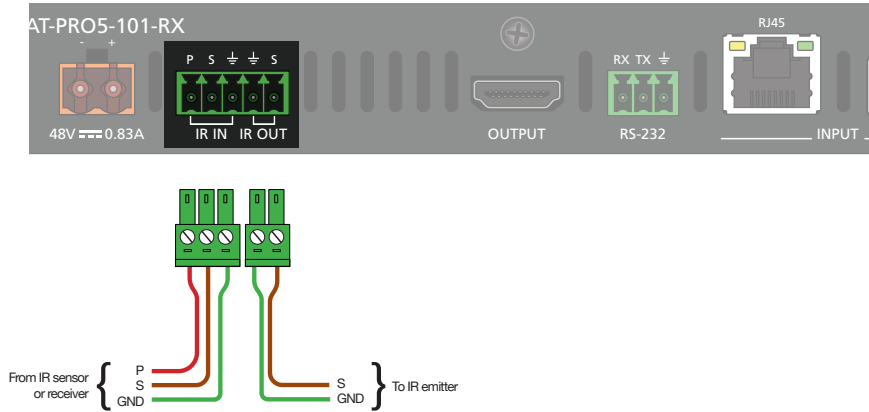
*Unbalanced Audio*



*Balanced Audio*

## IR IN / IR OUT

Connect the IR sensor and an IR emitter to the **IR IN / IR OUT** port on the AT-PRO5-101-RX. Use the included 3-pin captive screw connector for the IR receiver (**IR IN**) and the included 2-pin captive screw connector to connect the IR emitter (**IR OUT**).





## Notes

## Warranty

To view the product warranty, use the following link or QR code:

<https://atlona.com/warranty/>.



## English Declaration of Conformity

The English version can be found under the resources tab at:

<https://atlona.com/product/at-pro5-101-rx/>.



## Chinese Declaration of Conformity 中国RoHS合格声明

由SKU列出於:

<https://atlona.com/about-us/china-rohs/>.



HIGH-DEFINITION MULTIMEDIA INTERFACE

The terms HDMI, HDMI High-Definition Multimedia Interface, HDMI trade dress and the HDMI Logos are trademarks or registered trademarks of HDMI Licensing Administrator, Inc.



US International  
atlona.com • 408.962.0515 • 41.43.508.4321