



Wallplate Bracket Mount

AT-OME-WP-BKT



The Atlona AT-OME-WP-BKT is a mounting accessory for Omega™ Series wallplate transmitters and other US one-gang products with decorator-style faceplates. It is designed for surface-mount installation below a meeting table, or in a lecture, desk, credenza, or other furniture. The OME-WP-BKT can also be installed onto a compatible equipment rack rail.

Package Contents

1 x AT-OME-WP-BKT

1 x Product Insert

2 x Black wallplate screws

2 x Short wood screws

2 x Long wood screws



IMPORTANT: Visit <https://atlona.com/product/at-ome-wp-bkt/> for the latest compatibility list.

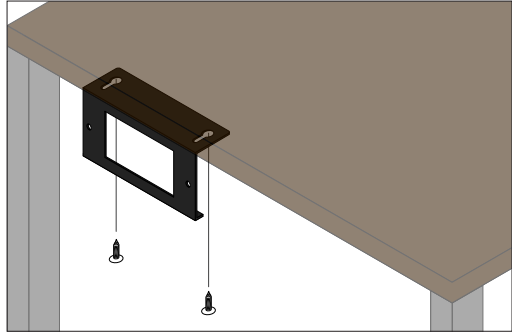
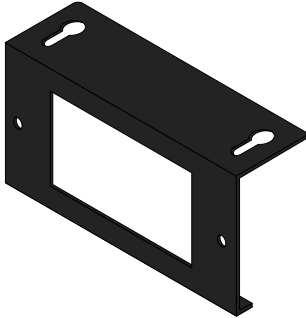


Mounting Instructions



NOTE: This product is rated for low voltage US 1-gang applications only. The wallplate must be Decora style faceplate compatible.

1. Place the top screw holes against the surface it will be affixed to and use the included screws (select between the 8mm or 16mm screw based on the surface dimensions) to secure the bracket.



2. Once secured to the surface, slide the compatible wallplate into the bracket and secure it using the included wallplate screws.

