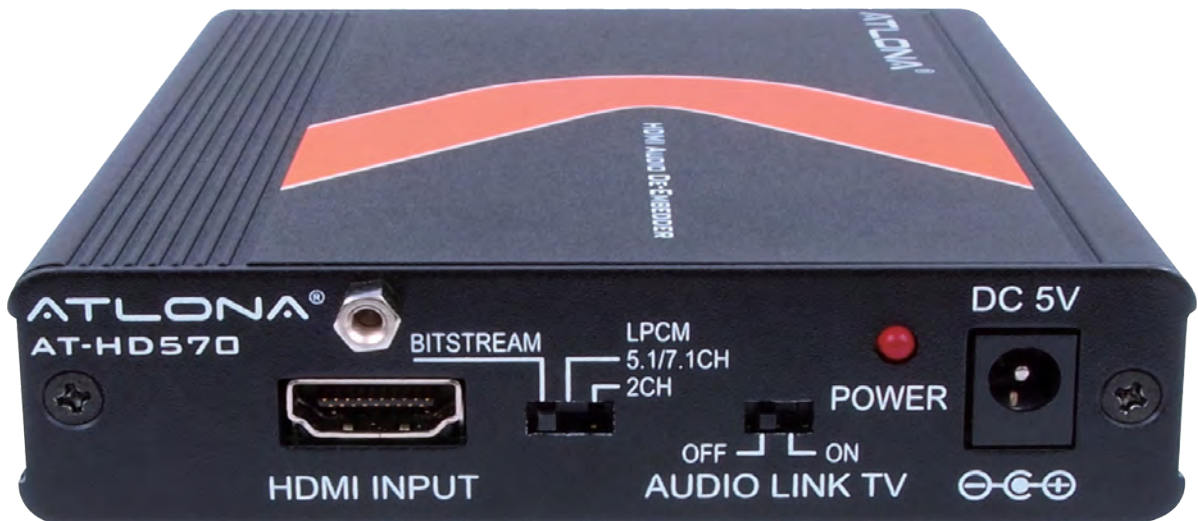


Atlona HDMI Audio Extractor

AT-HD570



User Manual

TABLE OF CONTENTS

1. Introduction	1
2. Features	1
3. Package Contents	1
4. Operation Controls and Functions	2
4.1 Front Panel	2
4.2 Rear Panel	2
5. Connection and Installation	3
6. Specifications	3
7. Safety Information	4
8. Warranty	5
9. Registration	6

Introduction

This is the most advanced solution for HDMI to HDMI repeater with Audio decoder. This is compatible to HDMI specifications, a cutting-age technology which defines to transfer Deep Color (12 bits/color) video with a high bandwidth up to 225MHz. The HDMI Distribution Amplifier also does signal amplification and equalization output that can connected with other HDMI to HDMI units for repeater function. The audio output support uncompressed analog LPCM 7.1 and new lossless compressed digital Bitstream (Dolby TrueHD, Dolby Digital Plus and DTS-HD Master Audio) and it depend on the input sources.

Features

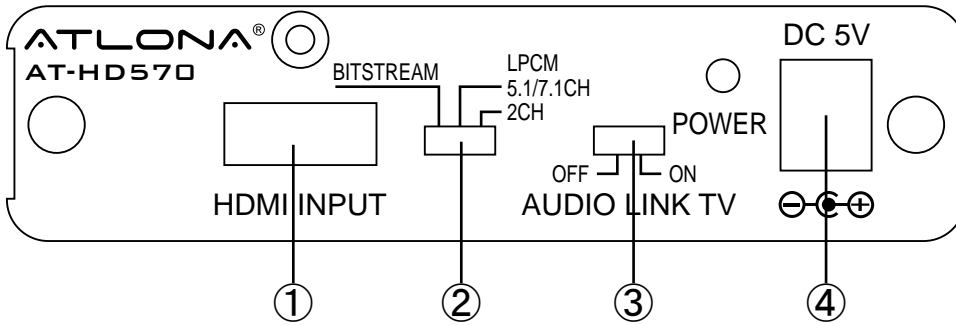
- HDCP compliant
- Supports digital video formats in Deep Color Mode from 25MHz to 225MHz for 36 bits (12 bits/color).
- Supports high definition input up to 1080p@(24/60)Hz, output resolution follows input.
- Supports HDMI signal amplification and equalization output for repeater function.
- Supports uncompressed digital LPCM 7.1, 5.1 or 2 channels and compressed digital Bit stream (Dolby TrueHD, Dolby Digital Plus and DTS-HD Master Audio) through HDMI input and output ports.
- Supports digital Dolby 5.1/2 and LPCM 2 channels output through optical fiber.
- Supports LPCM 7.1/5.1/2 channels output through multi-channel output ports.
- Integrated HDCP encryption for transmitting protected audio and video content.
- Support CEC bypass.
- The HDMI cable distance test with 1080p/8bits resolution, the Input/Output source can run up to 20/15 meters and 1080p/12bits the Input/Output source can run up to 15/10 meters.

Package Contents

- 1 x HDMI Audio De-Embedder with 3D Support.
- 1 x 5V DC power supply adapter
- 1 x User Manual

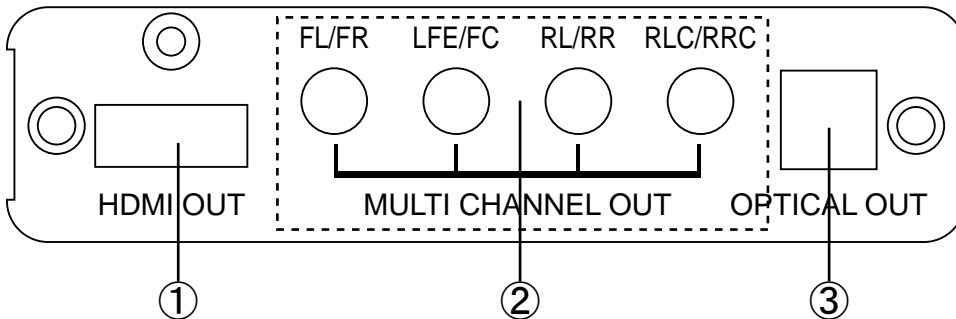
OPERATION CONTROLS AND FUNCTIONS

Front Panel



1. HDMI input: Connect the HDMI input port to the HDMI output port of your source equipment such as DVD player or set-top-box.
2. Audio selection switch: To switch between Bitstream/LPCM7.1/5.1/LPCM2 channels.
Note: When switch to other audio mode, the display will disappear for few seconds. This is normal phenomenon for the system.
3. Audio Link TV dip switch: Set the dip switch to ON when sending an audio signal only and do not have an HDMI display where the HD570 will be connected to.
If sending an audio and video signal where the HDMI output of the HD570 will be connected to a display, please set the dip switch to OFF.
4. Power: Plug the 5VDC power supply into the unit and connect the adaptor to AC wall outlet.

Rear Panel



1. HDMI output: Connect the HDMI output port to the HDMI input port of your display.
2. Multi channel output: Connect the audio channel output to the input of your amplifier equipment and follow the amplifier connections.
 FL: Front Left
 FR: Front Right
 LFE: Low Frequency Effect
 FC: Front Center
 RL: Rear Left
 RR: Rear Right
 RLC: Rear Left Center
 RRC: Rear Right Center
3. Optical output: Connect Optical output to the display audio input or audio equipments for Dolby5.1/2 and LPCM2 channels.

CONNECTION AND INSTALLATION



SPECIFICATIONS

Input port	1 x HDMI
HDMI input audio format	LPCM 7.1, 5.1 or 2 channels and Bitstream (Dolby TrueHD, Dolby Digital Plus and DTS-HD Master Audio)
Output port	1 x HDMI
HDMI output audio format	LPCM 7.1, 5.1 or 2 channels and Bitstream (Dolby TrueHD, Dolby Digital Plus and DTS-HD Master Audio)
Multi channel output ports	4 x 3.5Φphone jack
Multi channel output audio format	LPCM 7.1/5.1/2 channels
Optical output port	1 x Optical
Optical output audio format	Dolby 5.1/2 and LPCM 2 channels
Power Supply	5V/2.6A DC (US/EU standards, CE/FCC/UL certified)
Dimensions (mm)	100(W) x 147(D) x 25(H)
Weight(g)	300
Chassis Material	Aluminum
Silk Skin Color	Black
Operating Temperature	Operating from 0°C ~ 40°C

Safety Information

Safeguards



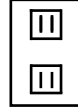
To reduce the risk of electric shock, do not expose this product to rain or moisture



Do not modify the wall plug. Doing so will void the warranty and safety features.



If the wall plug does not fit into your local power socket, hire an electrician to replace your obsolete socket.



This equipment should be installed near the socket outlet and the device should be easily accessible in the case it requires disconnection.

Precautions

FCC regulations state that any unauthorized changes or modifications to this equipment, not expressly approved by the manufacturer, could void the user's authority to operate this equipment.

Operate this product using only the included external power supply. Use of other power supplies could impair performance, damage the product, or cause fires.

In the event of an electrostatic discharge this device may automatically turn off. If this occurs, unplug the device and plug it back in.

Protect and route power cords so they will not be stepped on or pinched by anything placed on or against them. Be especially careful of plug-ins or cord exit points from this product.

Avoid excessive humidity, sudden temperature changes or temperature extremes.

Keep this product away from wet locations such as bathtubs, sinks, laundries, wet basements, fish tanks, and swimming pools.

Use only accessories recommended by Atlona to avoid fire, shock, or other hazards.

Unplug the product before cleaning. Use a damp cloth for cleaning and not cleaning fluid or aerosols. Such products could enter the unit and cause damage, fire, or electric shock. Some substances may also mar the finish of the product.

Never open, remove unit panels, or make any adjustments not described in this manual. Attempting to do so could expose you to dangerous electrical shock or other hazards. It may also cause damage to your AT-HD570. Opening the product will void the warranty.

Do not attempt to service the unit. Disconnect the product and contact your authorized Atlona reseller or contact Atlona directly.

Atlona, Inc. (“Atlona”) Limited Product Warranty Policy

Coverage

Atlona warrants its products will substantially perform to their published specifications and will be free from defects in materials and workmanship under normal use, conditions and service.

Under its Limited Product Warranty, Atlona, at its sole discretion, will either:

- A) repair or facilitate the repair of defective products within a reasonable period of time, restore products to their proper operating condition and return defective products free of any charge for necessary parts, labor and shipping
- OR
- B) replace and return, free of charge, any defective products with direct replacement or with similar products deemed by Atlona to perform substantially the same function as the original products
- OR
- C) refund the pro-rated value based on the remaining term of the warranty period, not to exceed MSRP, in cases where products are beyond repair and/or no direct or substantially similar replacement products exist.

Repair, replacement or refund of Atlona’s products is the purchaser’s exclusive remedy and Atlona’s liability does not extend to any other damages, incidental, consequential or otherwise.

This Limited Product Warranty extends to the original end-user purchaser of Atlona’s products and is non-transferrable to any subsequent purchaser(s) or owner(s) of these products.

Coverage Periods

Atlona’s Limited Product Warranty Period begins on the date of purchase by the end-purchaser. The date contained on the end-purchaser’s sales or delivery receipt is the proof purchase date.

Limited Product Warranty Terms – New Products

- 10 years from proof of purchase date for hardware/electronics products purchased on or after June 1, 2013
- 3 years from proof of purchase date for hardware/electronics products purchased before June 1, 2013
- Lifetime Limited Product Warranty for all cable products

Limited Product Warranty Terms – Refurbished (B-Stock) Products

- 3 years from proof of purchase date for all Refurbished (B-Stock) hardware and electronic products purchased on or after June 1, 2013

Remedy

Atlona recommends that end-purchasers contact their authorized Atlona dealer or reseller from whom they purchased their products. Atlona can also be contacted directly. Visit www.atlona.com for Atlona’s contact information and hours of operation. Atlona requires that a dated sales or delivery receipt from an authorized dealer, reseller or end-purchaser is provided before Atlona extends its warranty services. Additionally, a return merchandise authorization (RMA) and/or case number, is required to be obtained from Atlona in advance of returns.

Atlona requires that products returned are properly packed, preferably in the original carton, for shipping. Cartons not bearing a return authorization or case number will be refused. Atlona, at its sole discretion, reserves the right to reject any products received without advanced authorization. Authorizations can be requested by calling 1-877-536-3976 (US toll free) or 1-408- 962-0515 (US/international) or via Atlona’s website at www.atlona.com.

Exclusions

This Limited Product Warranty excludes:

- Damage, deterioration or malfunction caused by any alteration, modification, improper use, neglect, improper packing or shipping (such claims must be presented to the carrier), lightning, power surges, or other acts of nature.
- Damage, deterioration or malfunction resulting from the installation or removal of this product from any installation, any unauthorized tampering with this product, any repairs attempted by anyone unauthorized by Atlona to make such repairs, or any other cause which does not relate directly to a defect in materials and/or workmanship of this product.
- Equipment enclosures, cables, power supplies, batteries, LCD displays, and any accessories used in conjunction with the product(s).
- Products purchased from unauthorized distributors, dealers, resellers, auction websites and similar unauthorized channels of distribution.

Disclaimers

This Limited Product Warranty does not imply that the electronic components contained within Atlona's products will not become obsolete nor does it imply Atlona products or their electronic components will remain compatible with any other current product, technology or any future products or technologies in which Atlona's products may be used in conjunction with. Atlona, at its sole discretion, reserves the right not to extend its warranty offering in instances arising outside its normal course of business including, but not limited to, damage inflicted to its products from acts of god.

Limitation on Liability

The maximum liability of Atlona under this limited product warranty shall not exceed the original Atlona MSRP for its products. To the maximum extent permitted by law, Atlona is not responsible for the direct, special, incidental or consequential damages resulting from any breach of warranty or condition, or under any other legal theory. Some countries, districts or states do not allow the exclusion or limitation of relief, special, incidental, consequential or indirect damages, or the limitation of liability to specified amounts, so the above limitations or exclusions may not apply to you.

Exclusive Remedy

To the maximum extent permitted by law, this limited product warranty and the remedies set forth above are exclusive and in lieu of all other warranties, remedies and conditions, whether oral or written, express or implied. To the maximum extent permitted by law, Atlona specifically disclaims all implied warranties, including, without limitation, warranties of merchantability and fitness for a particular purpose. If Atlona cannot lawfully disclaim or exclude implied warranties under applicable law, then all implied warranties covering its products including warranties of merchantability and fitness for a particular purpose, shall provide to its products under applicable law. If any product to which this limited warranty applies is a "Consumer Product" under the Magnuson-Moss Warranty Act (15 U.S.C.A. §2301, ET SEQ.) or other applicable law, the foregoing disclaimer of implied warranties shall not apply, and all implied warranties on its products, including warranties of merchantability and fitness for the particular purpose, shall apply as provided under applicable law.

Other Conditions

Atlona's Limited Product Warranty offering gives legal rights, and other rights may apply and vary from country to country or state to state. This limited warranty is void if (i) the label bearing the serial number of products have been removed or defaced, (ii) products are not purchased from an authorized Atlona dealer or reseller. A comprehensive list of Atlona's authorized distributors, dealers and resellers can be found at www.atlona.com.

Atlona, Inc Product Registration

Thank you for purchasing this Atlona product. - We hope you enjoy it and will take an extra few moments to register your new purchase.

Registration creates an ownership record if your product is lost or stolen and helps ensure you'll receive notification of performance issues and firmware updates.

At Atlona we respect and protect your privacy, assuring you that your registration information is completely secure. Atlona product registration is completely voluntary and failure to register will not diminish your limited warranty rights.

To register go to: <http://www.atlona.com/registration>