

**VGA & Stereo Audio CAT5 Extender
With Chainable Output**
models: AT-2VGA300SL,
AT-4VGA300SL, AT-VGA300RL



User Manual

TABLE OF CONTENTS

1. Introduction	2
2. Specifications	3
3. Panel View	4
4. Switch Settings	4
5. Connection and Installation	5
6. Safety Information	7
7. Warranty	8
8. Atlona Product Registration	9

INTRODUCTION

AT-2VGA300SL, AT-4VGA300SL (sender units) are designed to transfer VGA & Stereo Audio signal over cost effective CAT5 cable. AT-VGA300RL (receiver unit) has built in chainable output to cascade the other receiver for working range over 1000ft (300 meters).

This AV Extender is the smart, fast and cost-effective solution, eliminating costly and bulky VGA and Audio cables for the most efficient way to move multimedia content from player to display.

AT-2VGA300SL 1 X 3 VGA WITH STEREO AUDIO CAT5 EXTENDER (SENDER UNIT) & DISTRIBUTION AMPLIFIER - CHAINABLE FUNCTION

- Extends VGA and stereo audio over one UTP CAT5 cable.
- Needs to be used in pair with AT-VGA300RL (receiver unit)
- Supports analog stereo audio.
- Supports resolutions up to 1600x1200 @85Hz.
- Long range transmission up to 300 meters (Max.)
- Dual output: 1 VGA loop output for local, plus 2 x CAT5 RJ45 output for remote side.
- Built in equalization, gain adjustment, chainable CAT5 output on receiver unit.
- Receiver unit can be daisy chained to another AT-VGA300RL receiver to extended working range over 300 meters and multiple displays.
- Receiver unit local output: supports DDC, DDC2, DDC 2B, and provides virtual DDC, DDC backup function, to avoid the wrong setting at high resolution/frequency.
- Application for airports, train & bus stations, window display, trades shows and exhibitions.

AT-4VGA300SL 1 X 5 VGA WITH STEREO AUDIO CAT5 EXTENDER (SENDER UNIT) & DISTRIBUTION AMPLIFIER - CHAINABLE FUNCTION

- Needs to be used in pair with AT-VGA300RL (receiver unit)
- Dual output: 1 VGA loop output for local, plus 4 x CAT5 RJ45 output for remote side.
- Each VGA display requires one AT-VGA300RL receiver at remote side. (Order separately).
- Use CAT5 cable instead of VGA cable.
- Long range transmission up to 300 meters (Max.).
- Built in equalization, gain adjustment, chainable CAT5 output at AT-VGA300RL receiver unit.
- Supports up to 1600x1200 @85Hz.

OPTIONAL MODEL:

AT-VGA300RL VGA WITH STEREO AUDIO CAT5 EXTENDER (RECEIVER UNIT) - CHAINABLE FUNCTION

- Work with AT-2VGA300SL, AT-4VGA300SL as receiver for extra remote VGA displays
- It can be daisy chained for another AT-VGA300RL to extended working range over 300M (1000ft)
- Built in equalization, gain adjustment.
- Supports up to 1600x1200 @85Hz.



SPECIFICATIONS

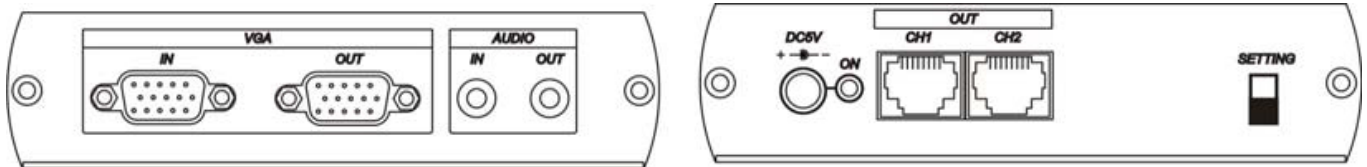
ITEM NO.	AT-2VGA300SL	AT-4VGA300SL
Resolution	Up to 1600 x 1200	
Video Bandwidth	Sender 750MHz / Receiver 350MHz-3db	
Video Input / Output	RGB Analog, 75Ω, 0.7Vp-p	
Sync Input / Output	H/V Separated, 5V TTL	
Horizontal Frequency	30-95 KHz	
Vertical Frequency	50-180 Hz	
VGA Connector	15-pin Mini D-Sub (High Density)	
Analog Audio Input / Output	10KΩ, 3Vp-p (Max)	
Analog Audio Bandwidth	20-20KHz-3dB	
Analog Audio Connector	3.5mm Stereo Phone jack	
Link Connector	2 x RJ-45	4 x RJ-45
Max Distance	Up to 1000 ft. (300M)	
Power Supply	5V DC 2000mA Regulated (External)	
Power Consumption	500mA (Max)	500mA (Max)
Dimensions (mm)	125x 95 x 30	125x 95 x 30
Weight (g)	280	280

ITEM NO.	AT-VGA300RL
Resolution	Up to 1600 x 1200
Video Bandwidth	150MHz
Video Output	RGB Analog, 75Ω, 0.7Vp-p
Sync Output	H/V Separated, 5V TTL
Horizontal Frequency	30-95 KHz
Vertical Frequency	50-180 Hz
VGA Connector	15-pin Mini D-Sub (High Density)
Analog Audio Output	10KΩ, 3Vp-p (Max)
Analog Audio Bandwidth	20-20KHz
Analog Audio Bandwidth	20-20KHz
Analog Audio Connector	3.5mm Stereo Phone jack
Link Connector	RJ-45
Max Distance	Up to 1000 ft. (300M)
Power Supply	5V DC 2000mA Regulated (External)
Power Consumption	600mA (Max)
Dimensions (mm)	88x 95 x 30
Weight (g)	200

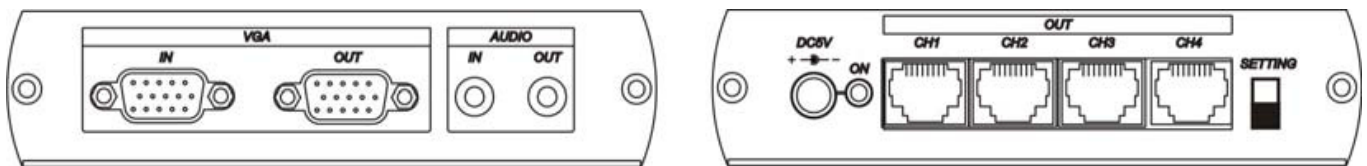


PANEL VIEW

AT-2VGA300SL



AT-4VGA300SL



AT-VGA300RL



SWITCH SETTINGS

DIP Switcher Setting:

1	2	
↑	↑	setup built in DDC (1280x1024@75Hz Max)
↓	↑	setup DDC of local monitor
↑	↓	setup DDC backup of local monitor
↓	↓	backup DDC of local monitor

AT-2VGA300SL LED:

Blue (front panel): power on/off

RJ45 LED (Link cable connector) :

Yellow LED status indication:

No light: Normal

Light: Waiting local Monitor connection (duplication DDC mode)

Blink one time: Finish DDC backup (duplication DDC mode)

Blink two times: Monitor DDC reading error (duplication DDC mode)



- Blink three times: DDC check sum error
- Blink four times: Memory read error
- Blink five times: Memory writes error
- Blink six times: Memory verify error

AT-2VGA300SL/AT-4VGA300SL Duplicate DDC step:

1. Dip switch 1 & 2 at “down” position, if the Sender already connected to the local monitor; please jump to the third step.
2. If Sender has not connected with local monitor yet, the yellow LED will keep lit to wait local monitor connection.
3. After few seconds DDC duplication will finish, then yellow LED will be off.
4. If the duplication is successful, the yellow LED will blink one time. If failed, yellow LED will blink several times, please refer to above “Yellow LED status indication”
5. Please unplug the local monitor after finishing the DDC duplication, and move dip switch 2 at “down”, 1 at “up”, then start to use DDC data which have beenduplicated.

AT-VGA300RL Remote unit adjustment:

- EQ equalization (sharpness)
- Gain signal boost (brightness)

AT-VGA300RL LED:

Blue (front panel): power on/off

RJ45 LED (Link cable connector):

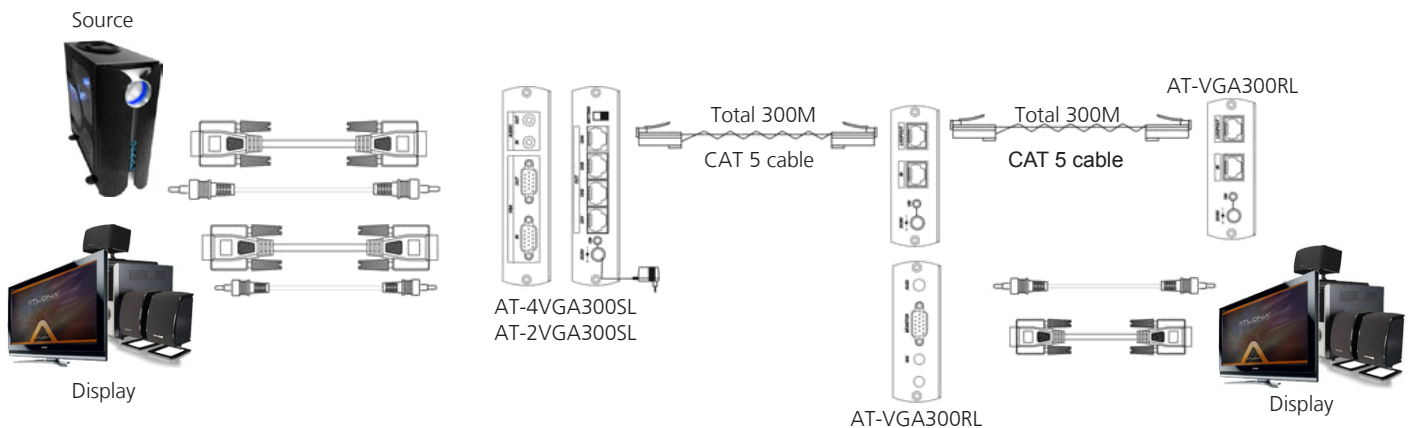
Green: power on/off

Caution: The cabling must keep away from any equipment with electromagnetic wave, i.e.:microwave, radio equipment, high voltage lines.

CONNECTION AND INSTALLATION

Cable:
Video Link cable using hi quality CAT5E UTP/STP or CAT6 UTP cable. Recommended wiring 568-B
Please note STP cable can enhance noise rejection, as well less transmissionrange and picture sharpness quality.

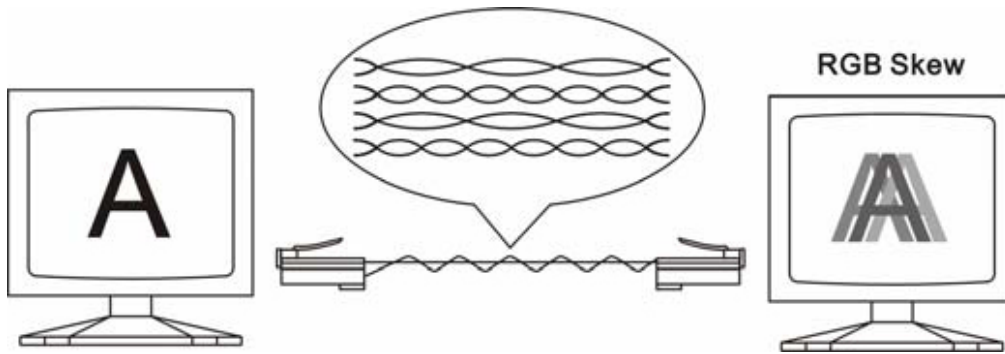
Connection Diagram:



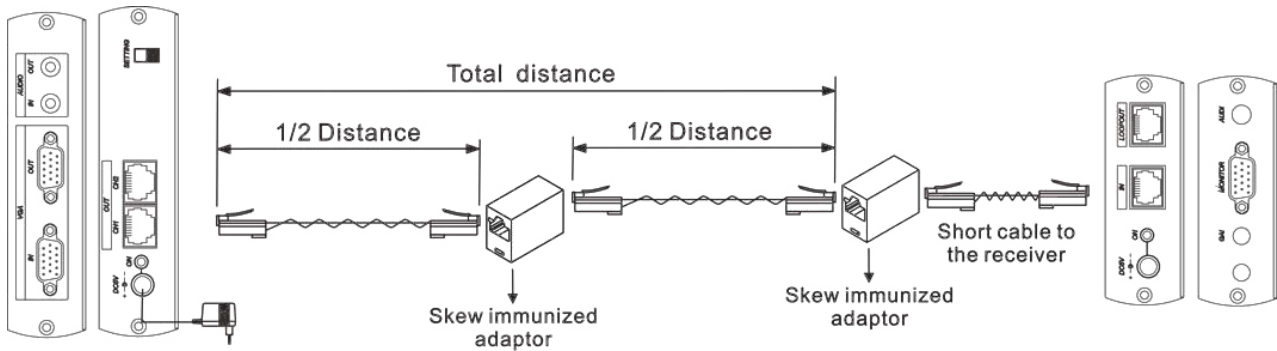


Installation Tips:

1. Due to the inside of CAT5 cable containing pairs of wires twisted at different rates, and the different quality on the cable itself and installation, different signal arrival time may occur at each pair. If there is a big difference at arrival time, that will cause RGB skew status. This is seen on the monitor as separation, or lack of convergence in colors. Normally it happens on long CAT 5 cable runs.



2. Recommend to use following cabling design to reduce skew status, and to add special made "skew immunized adaptor" (2 pieces included at the package).



SAFETY INFORMATION

Safeguards



To reduce the risk of electric shock, do not expose this product to rain or moisture



Do not modify the wall plug. Doing so will void the warranty and safety features.



If the wall plug does not fit into your local power socket, hire an electrician to replace your obsolete socket.



This equipment should be installed near the socket outlet and the device should be easily accessible in the case it requires disconnection.

Precautions

FCC regulations state that any unauthorized changes or modifications to this equipment, not expressly approved by the manufacturer, could void the user's authority to operate this equipment.

Operate this product using only the included external power supply. Use of other power supplies could impair performance, damage the product, or cause fires.

In the event of an electrostatic discharge this device may automatically turn off. If this occurs, unplug the device and plug it back in.

Protect and route power cords so they will not be stepped on or pinched by anything placed on or against them. Be especially careful of plug-ins or cord exit points from this product.

Avoid excessive humidity, sudden temperature changes or temperature extremes.

Keep this product away from wet locations such as bathtubs, sinks, laundries, wet basements, fish tanks, and swimming pools.

Use only accessories recommended by Atlona to avoid fire, shock, or other hazards.

Unplug the product before cleaning. Use a damp cloth for cleaning and not cleaning fluid or aerosols.

Such products could enter the unit and cause damage, fire, or electric shock. Some substances may also mar the finish of the product.

Never open, remove unit panels, or make any adjustments not described in this manual. Attempting to do so could expose you to dangerous electrical shock or other hazards. It may also cause damage to your AT-2VGA300SL, AT-4VGA300SL, AT-VGA300RL. Opening the product will void the warranty.

Do not attempt to service the unit. Disconnect the product and contact your authorized Atlona reseller or contact Atlona directly.

WARRANTY

Limited Warranty

Atlona Technologies warrants that (a) its products (AT-2VGA300SL, AT-4VGA300SL or AT-VGA300RL) will perform substantially in accordance with the accompanying written materials for a period of 3 years from the date of receipt and (b) that the product will be free from defects in materials and workmanship under normal use and service for a period of 3 years. In the event applicable law imposes any implied warranties, the implied warranty period is limited to 3 years from the date of receipt. Some jurisdictions do not allow such limitations on duration of an implied warranty, so the above limitation may not apply to customers that fall within those areas.

Customer Remedies

Atlona Technologies' and its suppliers' entire liability and Customer's exclusive remedy shall be, at Atlona Technologies' decision, either return of the price paid for the product, repair, or replacement of the product that does not meet this Limited Warranty and which is returned to Atlona Technologies with a copy of the Customer's receipt. This Limited Warranty is void if failure of the product has resulted from accident, abuse, misapplication, or natural occurrence. In example but not limited to: power surges (electrical storms, local power outage), dropping the product (or items on the product), contact with fluids, and physical misconduct (i.e. kicking or punching). Any replacement product will be warranted for the remainder of the original warranty period.

No other warranties

To the maximum extent permitted by applicable law, Atlona Technologies and its suppliers disclaim all other warranties, either expressed or implied, including, but not limited to, implied warranties of merchantability and fitness for a particular purpose, with regard to the product and any related written materials. This Limited Warranty gives customer specific legal rights. Customers may have other rights depending on the jurisdiction.

No liability for damages

To the maximum extent permitted by applicable law, in no event shall Atlona Technologies or its suppliers be liable for any damages arising out of the use of or inability to use this product, even if Atlona Technologies has been advised of the possibility of such damages. Such damages include but are not limited to: special, incidental, consequential, or indirect damages for personal injury, loss of business profits, business interruption, loss of business information, or any other pecuniary loss.

Atlona Technologies' and its suppliers' entire liability under any provision of this agreement shall be limited to the amount actually paid by you for the product. Some Jurisdictions do not allow the exclusion or limitation of liability for consequential or incidental damage. The above limitations may not apply to you in such jurisdictional cases.

ATLONA PRODUCT REGISTRATION

Thank you for purchasing this Atlona product. - We hope you enjoy it and will take an extra few moments to register your new purchase.

Registration creates an ownership record if your product is lost or stolen and helps ensure you'll receive notification of performance issues and firmware updates.

At Atlona, we respect and protect your privacy, assuring you that your registration information is completely secure. Atlona product registration is completely voluntary and failure to register will not diminish your limited warranty rights.

To register go to: **<http://www.atlona.com/registration>**