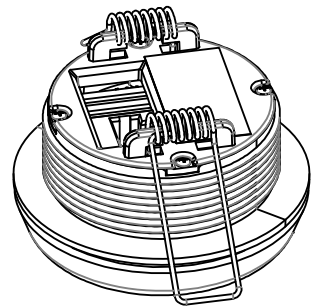
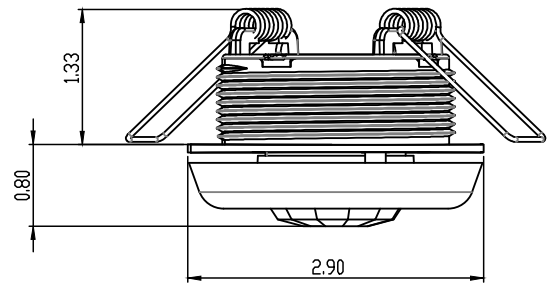
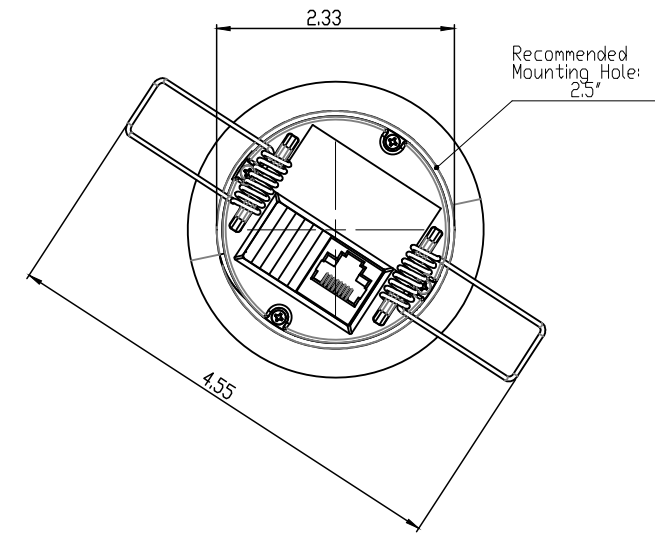


UNLESS OTHERWISE SPECIFIED: DIMENSIONS ARE IN INCHES  
 DIMENSIONAL TOLERANCES: ANGULAR: ± 5°  
 SURFACE FINISH: FREE POLISH BEHIND ± .005  
 No Loc Dimension

Dimension to Third Angle format



Scale: N/A	NAME	DATE
APPROVED BY:	EA	05/25/21
TITLE: Atlona Multi-Function Sensor		
PART NO. AT-DCS-900N	REV A1	Sheet 1 of 1