

Velocity 10" Touch Panel

AT-VTP-1000VL-BL and AT-VTP-1000VL-WH



The Atlona AT-VTP-1000VL is a Velocity System 10" touch panel with integrated surround LED lighting. It features contemporary, refined styling with 1280x800 native resolution, and a capacitive glass surface that supports multi-touch. The large 10" touch panel provides additional space for more complex user control of video walls, high density matrix switchers, audio DSP's, or other applications that have greater control function requirements. Bright LED lighting surrounding the edge of the panel is ideal for providing a visual representation of room status in scheduling applications or for adding emphasis to AV control functions. The panel ships with a dual-purpose one-gang wall/glass mount kit, that is a standard VESA 75 pattern to provide compatibility with a wide variety of other options. The VTP-1000VL features Power over Ethernet (PoE), enabling a single network connection for data and power. Setting up the touch panel is easy, with room scheduling and AV control GUIs automatically uploaded from the Velocity System hardware or software server gateway during system configuration.

Package Contents

1 x AT-VTP-1000VL	1 x Glass mount cover sticker
1 x Wall/Glass mount	2 x Glass mount adhesive strips
4 x Mounting screws	1 x Installation Guide
2 x Safety screws	

Operating Notes

- The Velocity 10" Touch Panel (AT-VTP-1000VL) must be on the same network as the Velocity Gateway (AT-VGW-HW or AT-VGW-SW) or it will be unable to sync for control.
- The AT-VTP-1000VL is PoE capable, to power the unit, simply plug it into a 802.3at compatible network switch. If the network switch is not PoE capable, a PoE injector (purchased separately) can be used.



IMPORTANT: Velocity Gateway (AT-VGW-HW or AT-VGW-SW) must be set up before the AT-VTP-1000VL is fully functional.

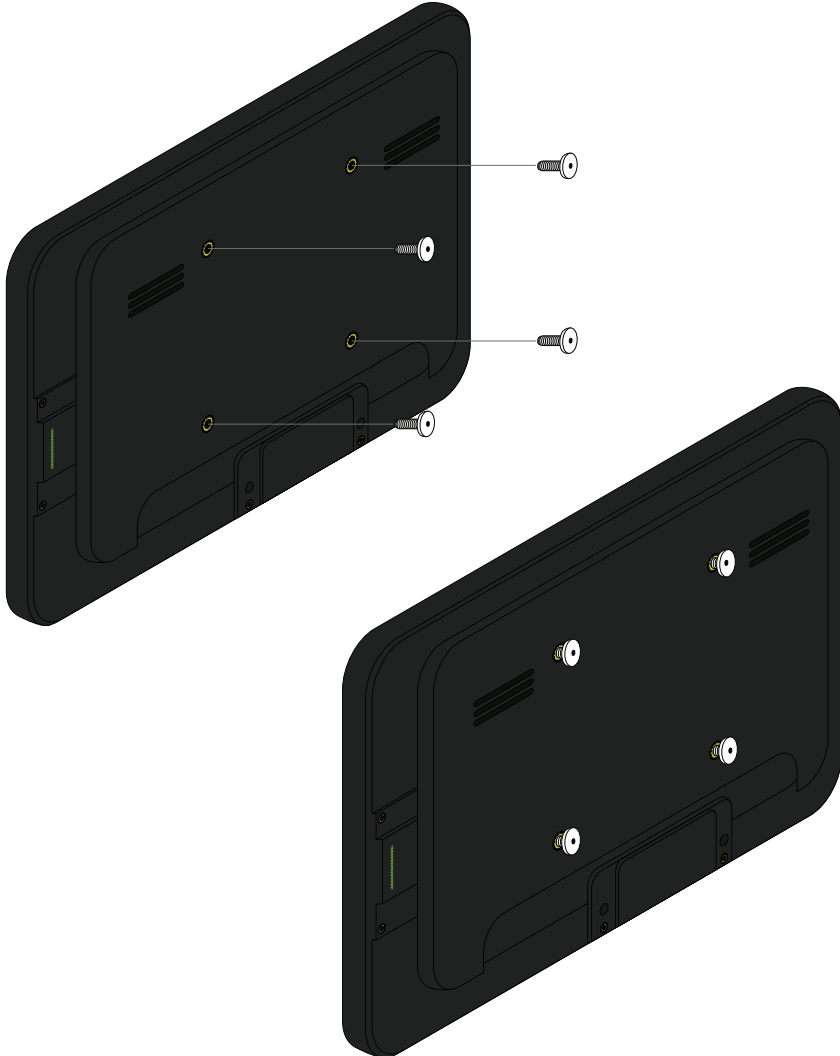


Mounting Instructions

The AT-VTP-1000VL has two mounting options. In-wall or an optional stand (available through atlonacom.com).

In-wall

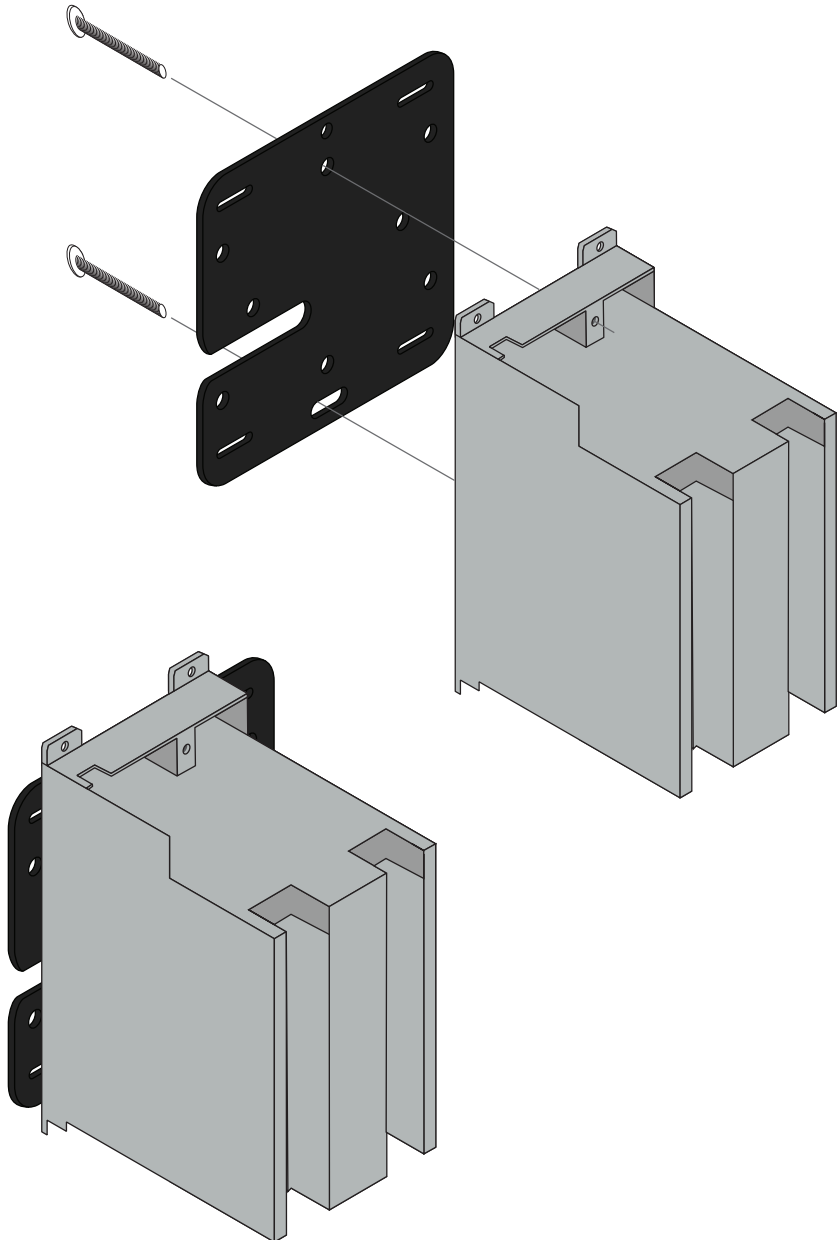
- 1 Connect the included mounting screws into the back of the wall plate. Do not over-tighten the screws, as they should stick out a few mm from the wall plate for affixing to the wall/glass mount.





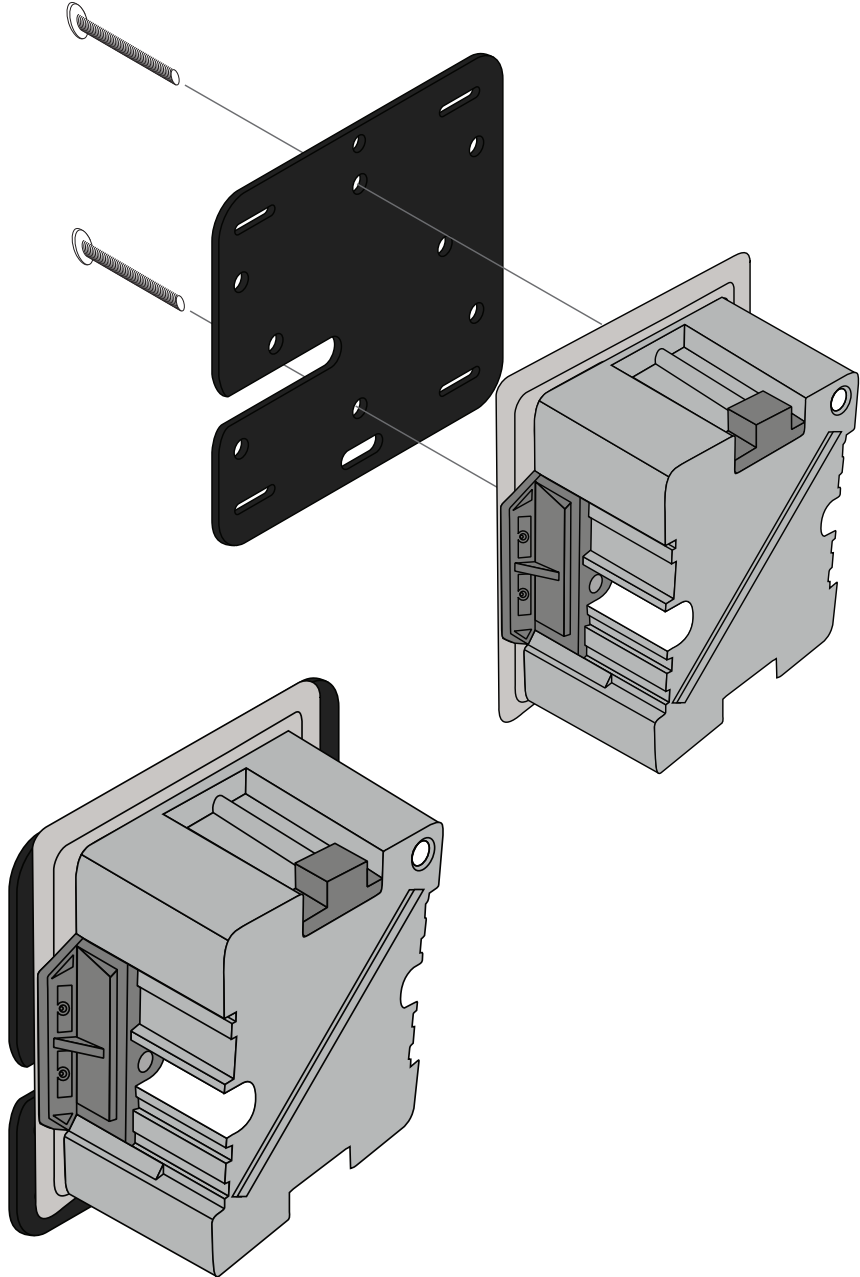
- 2 Affix the wall/glass mount to the back box. This will differ per region.

US



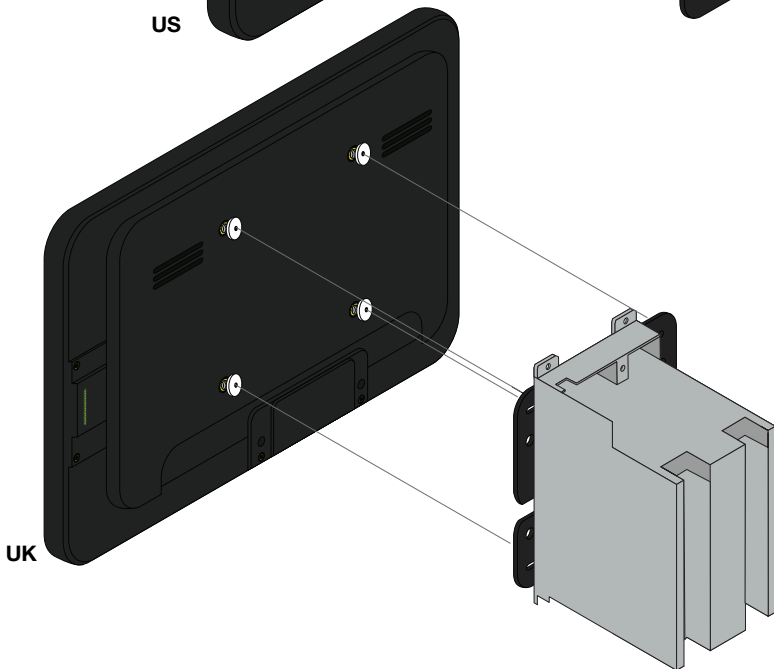
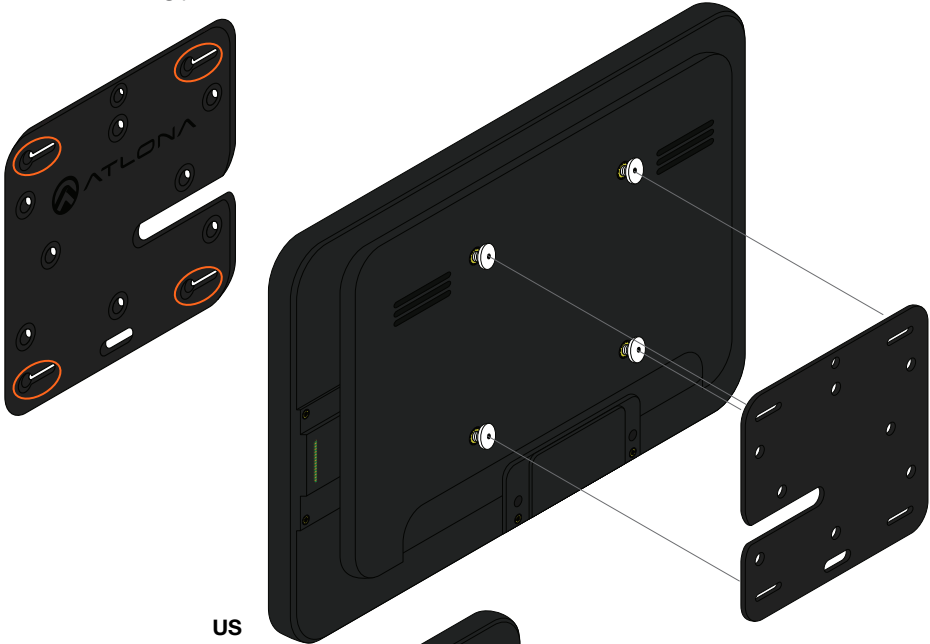


UK





- 3 Align the screws on the back of the wall plate with the four large holes and slide them onto the mounting plate.

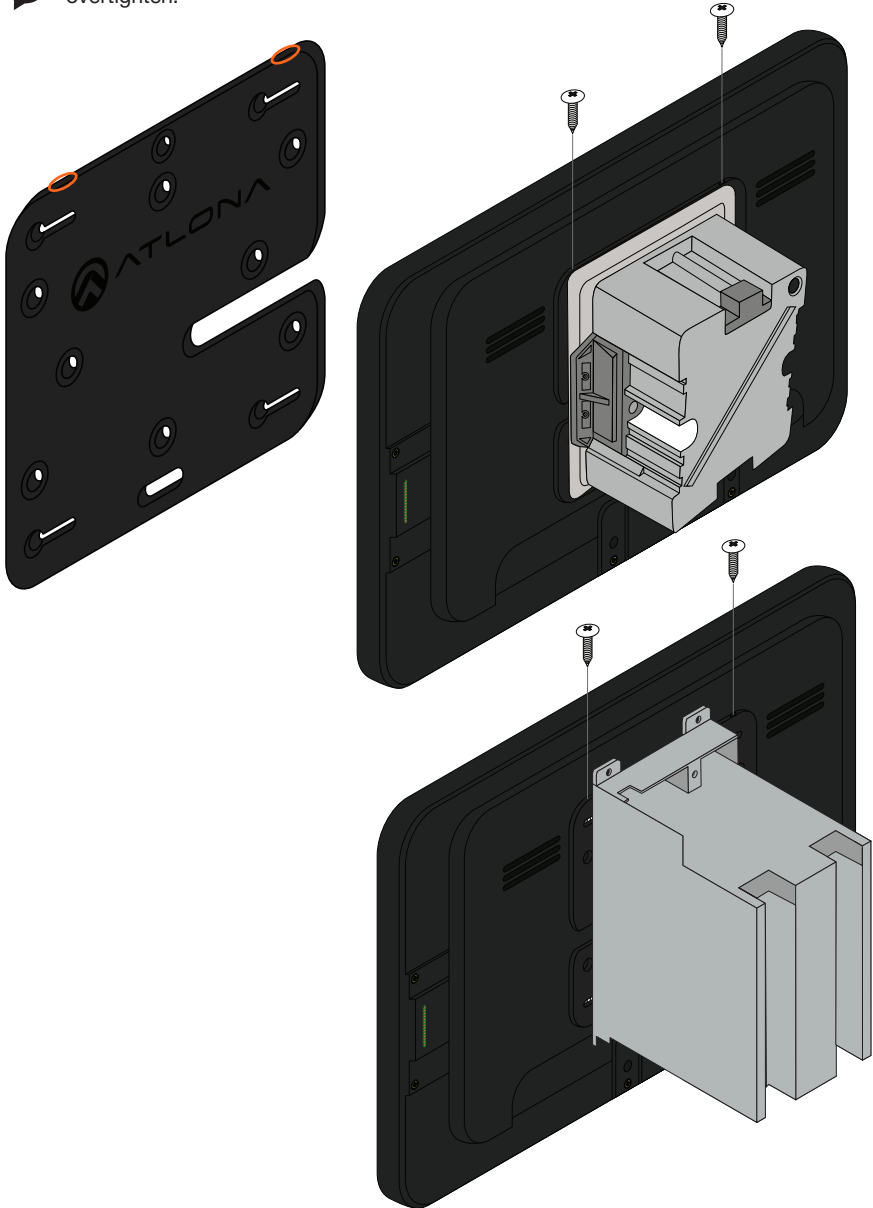




- 4 Insert the included safety screws into the top of the mounting plate, this will lock the mounting screws into places.

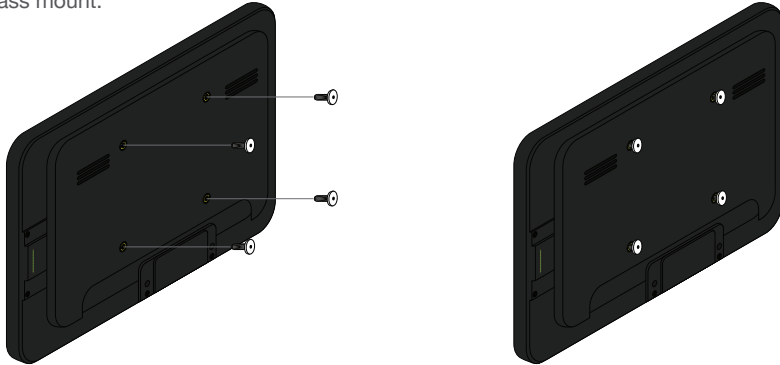


NOTE: Tighten the screws by hand. To avoid damage to the touch panel, do not overtighten.

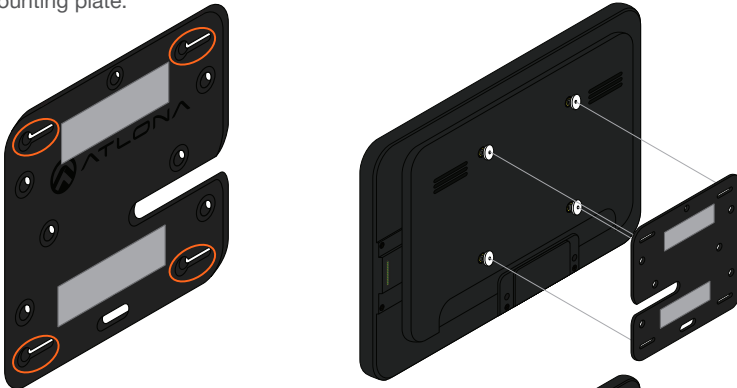


Glass Mounting

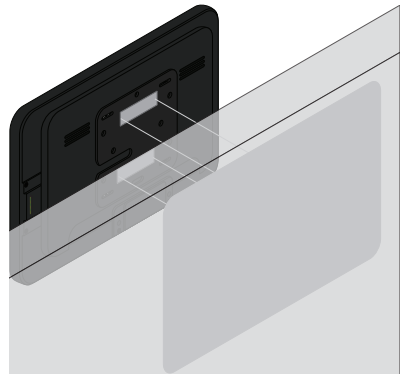
- 1 Connect the included mounting screws into the back of the wall plate. Do not over-tighten the screws, as they should stick out a few mm from the wall plate for affixing to the wall/glass mount.



- 2 Remove the paper from one side of the double-sided tape and affix it to the back of the mounting plate.
- 3 Align the screws on the back of the wall plate with the four large holes and slide them onto the mounting plate.



- 4 *Optional* Affix the Glass Mount Cover Sticker to the glass where the unit will be placed.
- 5 Remove the cover from the back of the double-sided tape.
- 6 Gently press the unit and mount firmly to the glass and hold pressure for thirty seconds to ensure the tape is fully engaged.



- 7 Insert the included safety screws into the top of the mounting plate, this will lock the mounting screws into places.

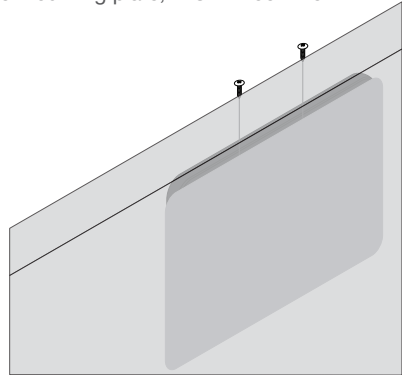
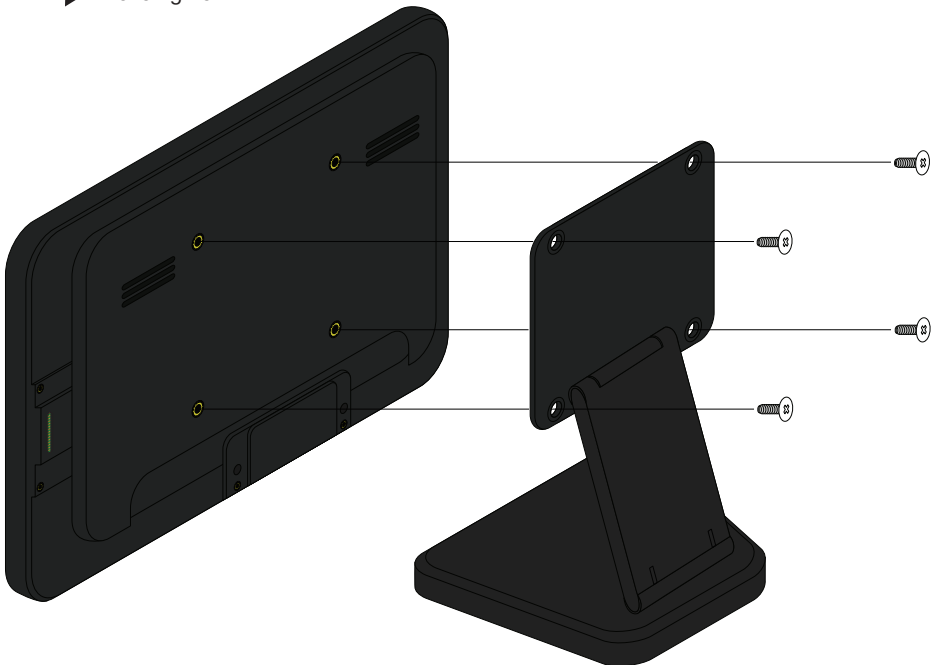


Table Mount (AT-VTP-VTM purchased separately through atlonacom.com)

- 1 Place the stand on the table/desk
- 2 Align the screw holes on the back of the wall plate with the holes on the adjustable stand.
- 3 Use the mounting screws included with the VTP-VTM and thread them through the back of the stand into the wall plate.



NOTE: Tighten the screws by hand. To avoid damage to the touch panel, do not overtighten.



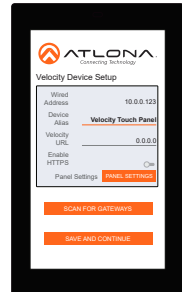
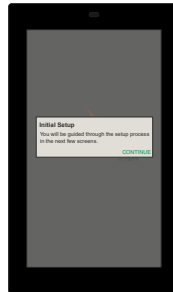
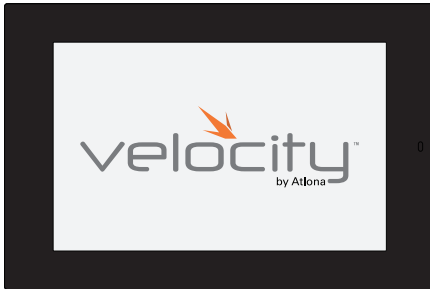


Installation and Set Up

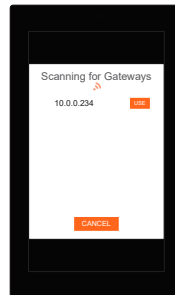


NOTE: Installation of the Velocity Touch Panel can only be done after Velocity has been set up. View the installation guides for VGW-HW/VGW-SW and Velocity Manual for instructions.

- 1 Connect the Ethernet cable into the back of the unit.
 - a If the Ethernet cable is connected to a non PoE switch, use a PoE injector using 802.3at (purchased separately).
- 2 Secure the unit in either the wall or optional stand, as explained in the mounting instructions.
- 3 The Velocity logo will display during the booting process and will go directly into setup. Press **CONTINUE** to start the setup process.

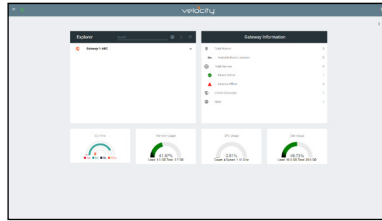


- 4 The unit will load a new screen. Change the Device Alias (if needed) to help differentiate when there are multiple touch panels at a site. A new screen will open.

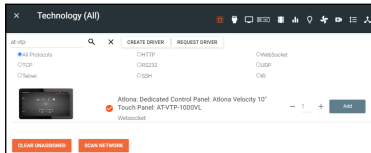
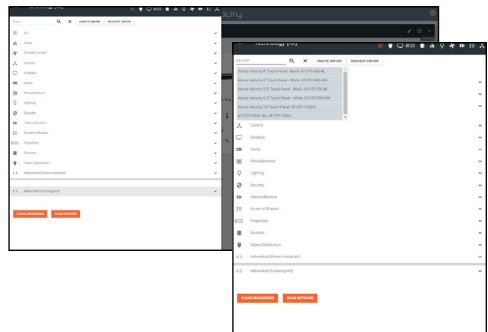
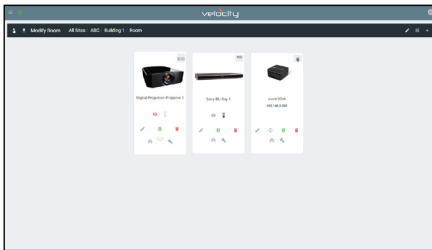


- 5 Press the **SCAN FOR GATEWAYS** button.
- 6 The touch panel will scan for new gateways. Once the correct gateway is found, press **USE**.
- 7 On a network computer, use a browser to log into Velocity.

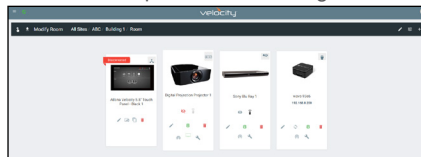




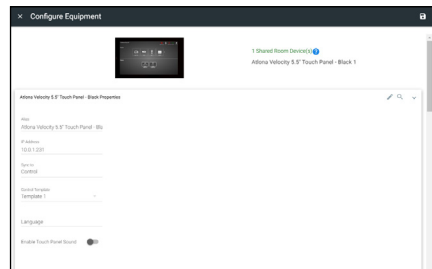
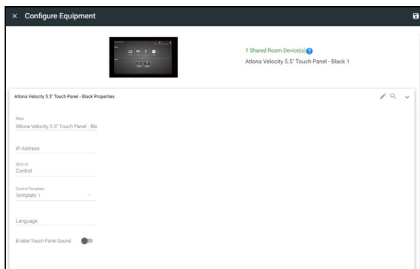
- 8 Navigate to the room the VTP will be located in.
- 9 Select the + button to add the unit.
- 10 Type the SKU into the search field and select the correct panel from the drop down.

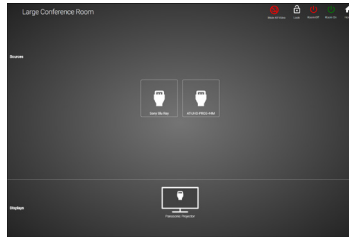
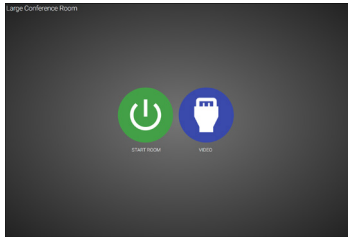


- 11 Select the Edit button on the tile to open the unit settings.



- 12 Select the ADD button. A tile for the unit will appear in the room.
- 13 Enter the IP of the VTP into the IP Address field and select the save icon in the top right corner of the screen. The screen will close, the panel will sync to the gateway, and the panel control will display on the panel.





- Depending on the room options there may be multiple buttons on the home page. Select the any icon to open the room's control page.

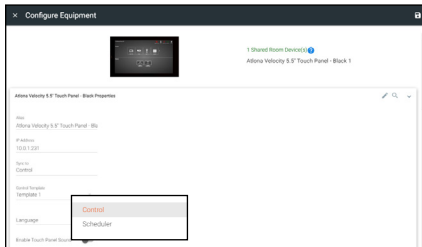


NOTE: The room must be completely set up to receive the control interface.

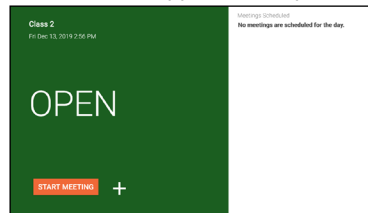
- Select sources and displays by tapping on them or dragging and dropping the source on the display.

Scheduling

The panel can be set to scheduling, to do this, continue from step 13 to the next few steps.



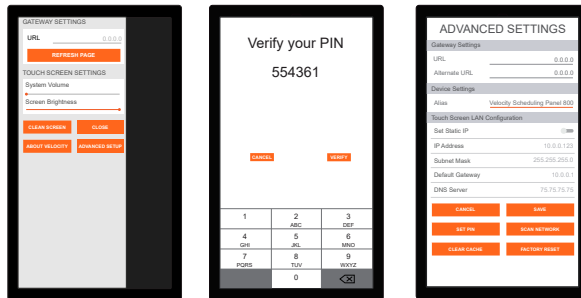
- Select the Sync to drop down menu and choose **Scheduler**.
- Select the **Save** button. Once selected, the Scheduler will appear on the panel.



Advanced Settings

Once the touch pad has been set up, the settings can be changed or reset only through the advanced settings.

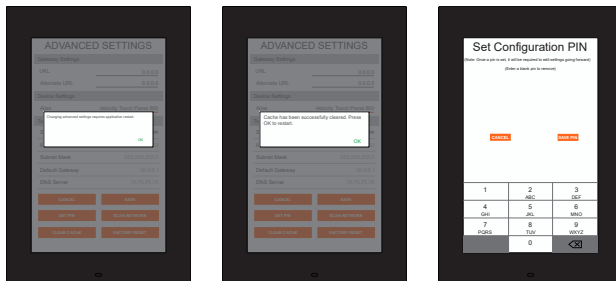
- 1 To access the settings, swipe from the left side of the touch pad to the right.
- 2 Select Advanced Setup.
- 3 Type in the PIN. Default PIN is 554361.



Within the advanced settings, all the touch pad settings can be changed or reset.

Gateway Settings -

- a If the gateway IP is known, it can be typed into the **URL** field.
- b If the gateway IP is unknown, press the **Scan Network** button to search for and add the gateway.



Device Settings - The touch pad can be renamed for easier syncing with Velocity. Type the name into the **Alias** field.

Touch Screen LAN Configuration - The current IP settings will display in these fields. To switch to a static IP, select the **Set Static IP** slider, fill in the IP information, and press Save.

Set PIN - The default PIN of 554361 can be changed to a new pin by pressing the **Set PIN** button. Type the new PIN in and press Save PIN.

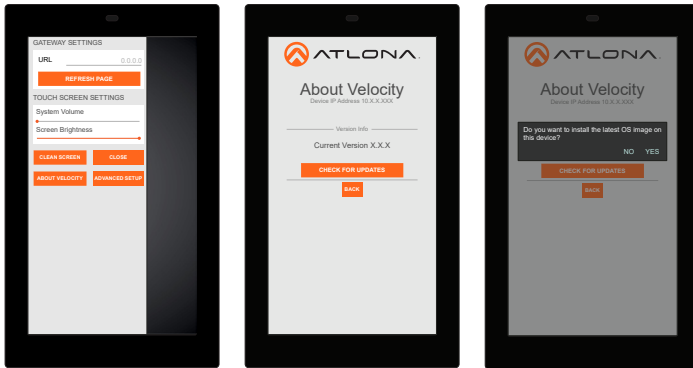
Clear Cache - Press the **Clear Cache** button to release the current cache of the VTP. Press the **OK** button to verify.

Factory Reset - Press the **Factory Reset** button to clear all the settings and start the touch pad set up again. Press the **OK** button to verify.

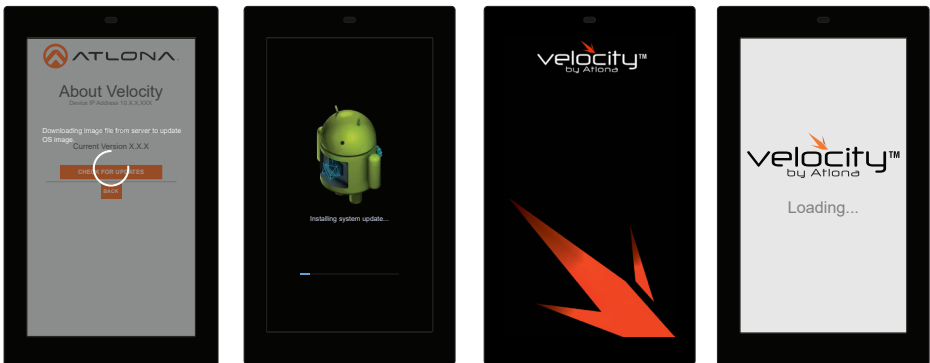
Firmware Updating

The touch panel can be updated from within its settings menu. To update, the panel must be connected to a network with internet access.

- 1 Swipe from the left side of the touch pad to the right to open the gateway settings menu.
- 2 Select the **ABOUT VELOCITY** button. A new screen will take over.
- 3 Select the **CHECK FOR UPDATES** button. A pop up will appear if there is an update.
- 4 Press the **YES** on the touch screen for the unit to download and install the firmware.



When the installation starts, it will switch to an Android update screen. Once completed it will restart the touch panel. The splash screen will appear, before the loading screen takes over. The update is complete when it returns to the control screen. This process can take up to 5 minutes to complete.



Warranty

To view the product warranty, use the following link or QR code:

<https://atlona.com/warranty/>.



English Declaration of Conformity

The English version can be found under the resources tab at:

<https://atlona.com/product/at-vtp-1000vl/>.



Chinese Declaration of Conformity 中国RoHS合格声明

由SKU列出於:

<https://atlona.com/about-us/china-rohs/>.

