

# 4K HDR 8x8 HDMI to HDMI Matrix Switcher



## Version Information

---

Version	Release Date	Notes
1	April 2018	Initial release
2	May 2019	Added note for new front panel OSD to <a href="#">Panel Description</a>
3	Dec 2019	Added <b>USB Updating</b> instructions
4	June 2023	IR remote control no longer included
5	Jan 2024	Updated warranty information

## Sales, Marketing, and Customer Support

---

### Main Office

Atlona Incorporated  
70 Daggett Drive  
San Jose, CA 95134  
United States

Office: +1.408.962.0515 (US/International)

Sales and Customer Service Hours  
Monday - Friday: 6:00 a.m. - 4:30 p.m. (PST)

<https://atlona.com/>

### International Headquarters

Atlona International AG  
Tödistrasse 18  
8002 Zürich  
Switzerland  
Office: +41 43 508 4321

Sales and Customer Service Hours  
Monday - Friday: 09:00 - 17:00 (UTC +1)

## Operating Notes

---

As of this writing, there are no firmware updates for this product. When new firmware is released, update instructions will be included with the firmware and will be appended to this manual.



**IMPORTANT:** Visit <http://www.atlona.com/product/AT-HDR-H2H-88MA> for the latest firmware updates and User Manual.

## Warranty

---



To view the product warranty, use the following link or QR code:

<https://atlona.com/warranty/>.

## Important Safety Information



CAUTION: TO REDUCE THE RISK OF ELECTRIC SHOCK DO NOT OPEN ENCLOSURE OR EXPOSE TO RAIN OR MOISTURE. NO USER-SERVICEABLE PARTS INSIDE REFER SERVICING TO QUALIFIED SERVICE PERSONNEL.



The exclamation point within an equilateral triangle is intended to alert the user to the presence of important operating and maintenance instructions in the literature accompanying the product.



The information bubble is intended to alert the user to helpful or optional operational instructions in the literature accompanying the product.

- 1 Read these instructions.
- 2 Keep these instructions.
- 3 Heed all warnings.
- 4 Follow all instructions.
- 5 Do not use this product near water.
- 6 Clean only with a dry cloth.
- 7 Do not block any ventilation openings. Install in accordance with the manufacturer's instructions.
- 8 Do not install or place this product near any heat sources such as radiators, heat registers, stoves, or other apparatus (including amplifiers) that produce heat.
- 9 Do not defeat the safety purpose of a polarized or grounding-type plug. A polarized plug has two blades with one wider than the other. A grounding type plug has two blades and a third grounding prong. The wide blade or the third prong are provided for your safety. If the provided plug does not fit into your outlet, consult an electrician for replacement of the obsolete outlet.
- 10 Protect the power cord from being walked on or pinched particularly at plugs, convenience receptacles, and the point where they exit from the product.
- 11 Only use attachments/accessories specified by Atlona.
- 12 To reduce the risk of electric shock and/or damage to this product, never handle or touch this unit or power cord if your hands are wet or damp. Do not expose this product to rain or moisture.
- 13 Unplug this product during lightning storms or when unused for long periods of time.
- 14 Refer all servicing to qualified service personnel. Servicing is required when the product has been damaged in any way, such as power-supply cord or plug is damaged, liquid has been spilled or objects have fallen into the product, the product has been exposed to rain or moisture, does not operate normally, or has been dropped.



## FCC Compliance

FCC Compliance and Advisory Statement: This hardware device complies with Part 15 of the FCC rules. Operation is subject to the following two conditions: 1) this device may not cause harmful interference, and 2) this device must accept any interference received including interference that may cause undesired operation. This equipment has been tested and found to comply with the limits for a Class A digital device, pursuant to Part 15 of the FCC Rules. These limits are designed to provide reasonable protection against harmful interference in a commercial installation. This equipment generates, uses, and can radiate radio frequency energy and, if not installed or used in accordance with the instructions, may cause harmful interference to radio communications. However there is no guarantee that interference will not occur in a particular installation. If this equipment does cause harmful interference to radio or television reception, which can be determined by turning the equipment off and on, the user is encouraged to try to correct the interference by one or more of the following measures: 1) reorient or relocate the receiving antenna; 2) increase the separation between the equipment and the receiver; 3) connect the equipment to an outlet on a circuit different from that to which the receiver is connected; 4) consult the dealer or an experienced radio/TV technician for help. Any changes or modifications not expressly approved by the party responsible for compliance could void the user's authority to operate the equipment. Where shielded interface cables have been provided with the product or specified additional components or accessories elsewhere defined to be used with the installation of the product, they must be used in order to ensure compliance with FCC regulations.

## Copyright, Trademark, and Registration

© 2024 Atlona Inc. All rights reserved. "Atlona" and the Atlona logo are registered trademarks of Atlona Inc. Pricing, specifications and availability subject to change without notice. Actual products, product images, and online product images may vary from images shown here.

**HDMI**™ The terms HDMI, HDMI High-Definition Multimedia Interface, HDMI trade dress and the HDMI Logos are trademarks or registered trademarks of HDMI Licensing Administrator, Inc.

Dolby, Dolby Atmos, and the double-D symbol are registered trademarks of Dolby Laboratories Licensing Corporation.

For DTS patents, see <http://patents.dts.com>. Manufactured under license from DTS, Inc. DTS, the Symbol, DTS and the Symbol together, and Digital Surround are registered trademarks and/or trademarks of DTS, Inc. in the United States and/or other countries. © DTS, Inc. All Rights Reserved.

All other trademark(s), copyright(s), and registered technologies mentioned in this document are the properties of their respective owner(s).

# Table of Contents

---

Introduction	6
Features	6
Package Contents	6
Panel Description	7
Installation	8
Control	8
Audio	8
Mounting Instructions	9
Connection Instructions	11
Connection Diagram	11
WebGUI	12
USB Updating	17
Appendix	18
Specifications	18

## Introduction

---

The Atlona AT-HDR-H2H-88MA is an 8x8 HDMI matrix switcher for high dynamic range (HDR) formats. It is HDCP 2.2 compliant and supports 4K/UHD video @ 60 Hz with 4:4:4 chroma sampling, as well as HDMI data rates up to 18 Gbps. The AT-HDR-H2H-88MA is ideal for professional HDMI signal routing in residential and commercial applications where a number of AV sources must be shared throughout eight zones to reduce the installed equipment footprint and to reduce the costs associated with multiple, redundant devices. It is compatible with all video resolutions, audio formats, and color space formats supported in the HDMI 2.0b specification, plus the ability to pass metadata for HDR content. The HDR-H2H-88MA includes EDID and HDCP management features, and can send CEC display control independently to each output. An unbalanced analog audio output is paired with each HDMI input for sending de-embedded HDMI audio to a whole-house audio system. The HDR-H2H-88MA can be controlled via Ethernet, RS-232, and IR.

## Features

---

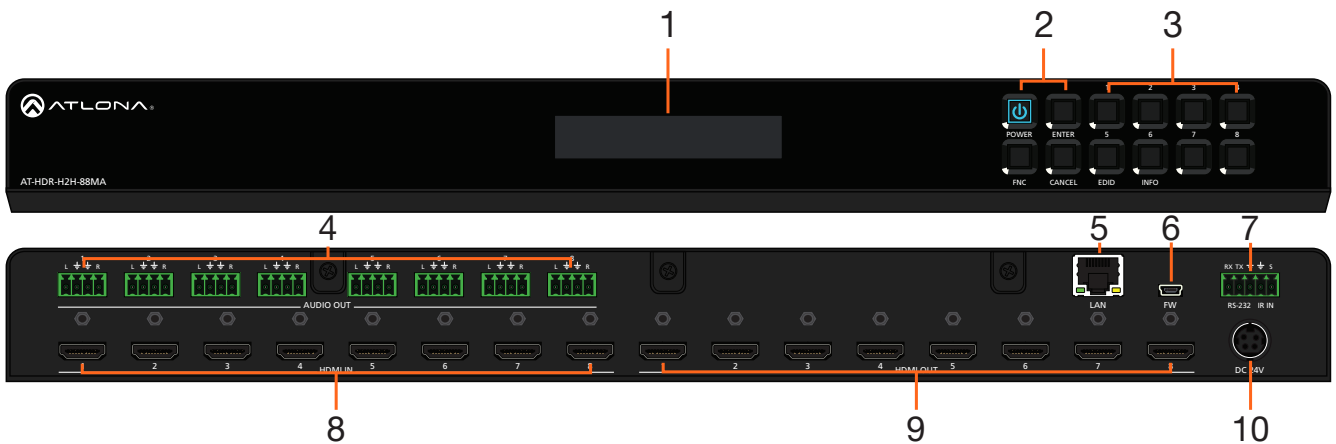
- Supports resolutions up to 4K/UHD 60Hz @ chroma sub-sampling 4:2:0 10-bit
- HDCP 2.2 compliant
- EDID learning for up to 8 display EDIDs
- Built in internal EDID mode provides 14 unique EDIDs to ensure compatibility
- Multiple control options such as RS-232, IR, TCP/IP, webGUI, and front panel
- Multi-channel audio pass through up to Dolby Digital Plus, Dolby TrueHD, DTS-HD Master Audio, and Dolby Atmos

## Package Contents

---

- 1 x AT-HDR-H2H-88MA
- 1 x Captive screw connector, 5-pin
- 8 x Captive screw connector, 4-pin
- 1 x 24V DC power supply
- 1 x Pair mounting ears w/screws
- 4 x Feet w/screws
- 1 x Installation Guide

# Panel Description



- 1 OSD**  
 Front panel OSD will display the on screen menu for routing, EDID management, and device info.

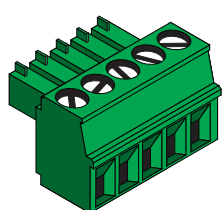
**NOTE:** Starting on firmware 1.0.13, the front panel LCD will turn off after 30 seconds of inactivity. Press any button to activate the LCD again.
- 2 Function Buttons**  
**Power** - Sets the unit in and out of standby.  
**Enter** - Used for making selection within the front panel OSD.  
**FNC** - Use to switch number buttons to their secondary function.  
**CANCEL** - Navigates back one step in the front panel OSD.
- 3 Number Buttons**  
 Use for selection of inputs and outputs.  
 1 - Press FNC + 1 to route selected input to all outputs.  
 2 - Press FNC + 2 to turn the IR receiver window on and off.  
 3 - Press FNC + 5 to open the EDID menu.  
 4 - Press FNC + 6 to display the device firmware. Press 4 again to view IP, IP port, and MAC.
- 4 AUDIO OUT**  
 This port provides source audio 2CH de-embedding. The audio of the HDMI inputs will be directly de-embedded to an audio DSP, amplifier, or player device.
- 5 LAN**  
 Connect an Ethernet cable from this port to a Local Area Network (LAN). This port provides access to the webGUI or TCP/IP control.
- 6 FW**  
 Connect a mini USB cable to this port to update the firmware.
- 7 Control Port**  
 Connect a third party controller or PC to control the matrix through either IR or RS-232.
- 8 HDMI IN**  
 Connect HDMI cables to these ports from HDMI sources.
- 9 HDMI OUT**  
 Connect an HDMI cable from this port to an HDMI display, extender, or switcher.
- 10 DC 24V**  
 Connect the included 24V DC power supply to this power receptacle.

# Installation

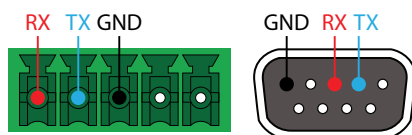
## Control

A 5-pin captive screw connector for control has been included. The first three terminals are RS-232 control, the last two terminals are for IR.

- 1 Use wire strippers to remove a portion of the cable jacket.
- 2 Remove at least 3/16" (5 mm) from the insulation of each wire.
- 3 Insert the wires into the correct terminal on the included captive screw connector, as shown below.
- 4 Tighten the screws to secure the wires. Do not use high-torque devices as this may damage the screws and/or connector.

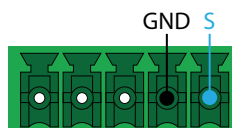


### RS-232



Pin out will be determined by the RS-232 cable and connect as RX (receive), TX (transmit) and  $\perp$  (Ground).

### IR

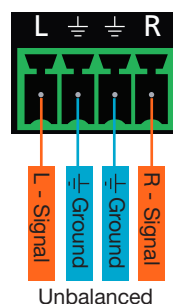
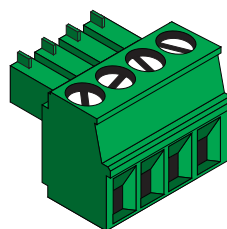


IR IN is connected by a ground and signal wire. Use with 3rd party control systems. For easy termination, Atlona recommends using the 2 meter IR cable AT-LC-CS-IR-2M.

## Audio

Connect to an audio DSP, amplifier, or other audio distribution or player devices. Only unbalanced connections may be used.

**NOTE:** Audio is directly de-embedded from the HDMI IN ports and are **not** zone output audio ports.



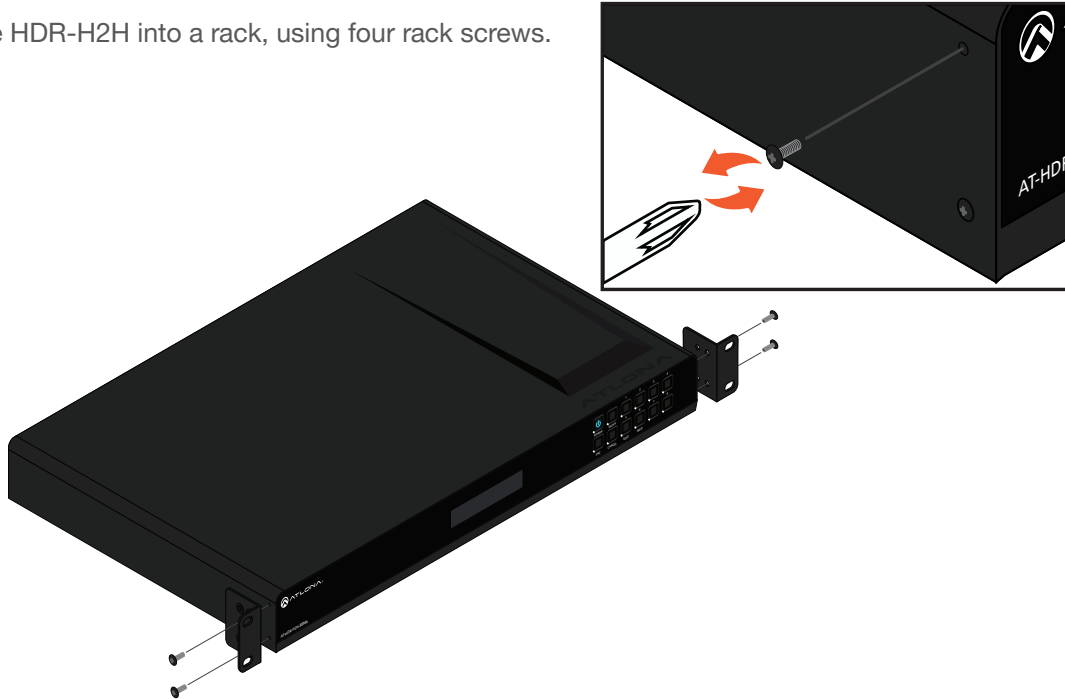


## Mounting Instructions

The AT-HDR-H2H-88MA can be placed freestanding on top of a desk, a table, or in a cabinet. To prevent damage to the surfaces or unnecessary movement of the matrix, four feet have been included.

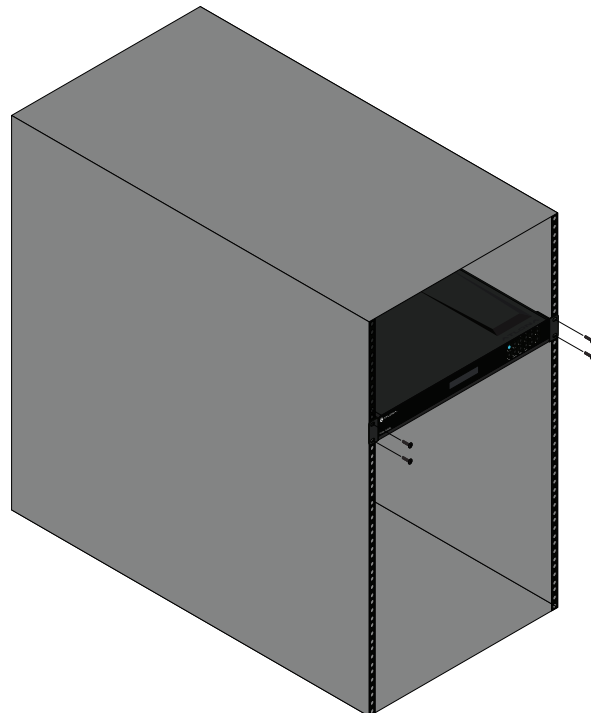
### Rack installation

- 1 Remove the front two case screws from the sides of the case.
- 2 Attach the included rack ears to each side of the AT-HDR-H2H-88MA using the case screws.
- 3 Install the HDR-H2H into a rack, using four rack screws.



**i NOTE:** Increase the air flow as needed to maintain the recommended temperature inside the rack.

**i NOTE:** Do not exceed the maximum weight loads for the rack. Install heavier equipment in the lower part of the rack for stability.



### Surface mounting

The AT-HDR-H2H-88MA can be placed freestanding on top of a desk, a table, or in a cabinet. To prevent damage to the surfaces or unnecessary movement of the matrix, four feet have been included.

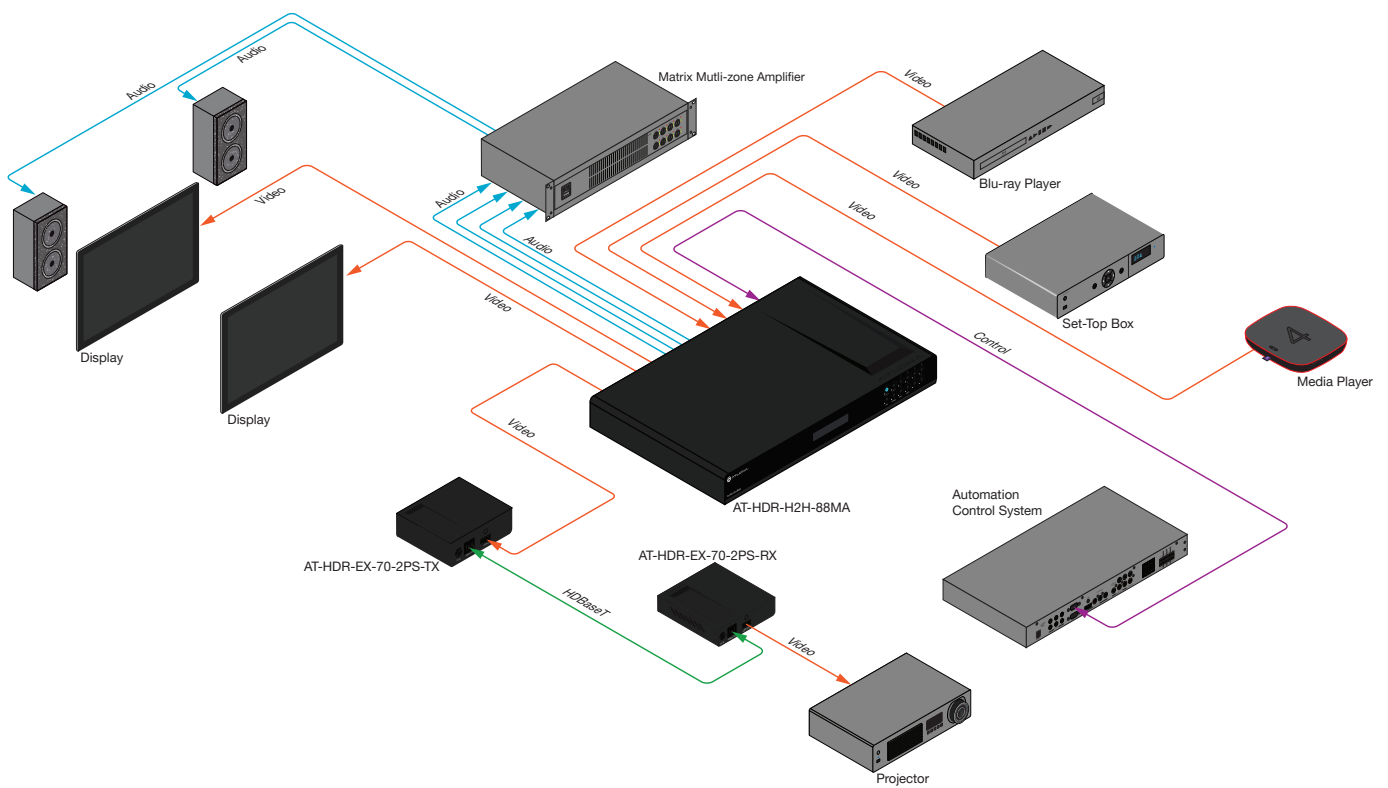
- 1 Turn the unit upside down.
- 2 Install each foot using the included feet screws, the rubber grips of the feet should be facing up during installation.
- 3 Turn the unit right-side up and place it in the desired location.



**Connection Instructions**

- 1 Connect up to 8 HDMI sources to the HDMI IN ports.
- 2 Connect up to 8 HDMI displays to the HDMI OUT ports.
- 3 For control, connect to the captive screw port for IR and RS-232, or the LAN port for TCP/IP and webGUI.
- 4 Connect the included 24V power supply to the DC 24V port.
- 5 Connect the power supply to an AC outlet.

**Connection Diagram**



## WebGUI

The AT-HDR-H2H-88MA includes a built-in webGUI, which allows easy management and control of all features. Follow the instructions below to access the webGUI.

- 1 View the IP address of the unit using the front panel OSD.
  - Press the FNC button.
  - Press button 6 (INFO). The firmware version will display on the front panel screen.
  - Press button 6 again to bring up the IP address.

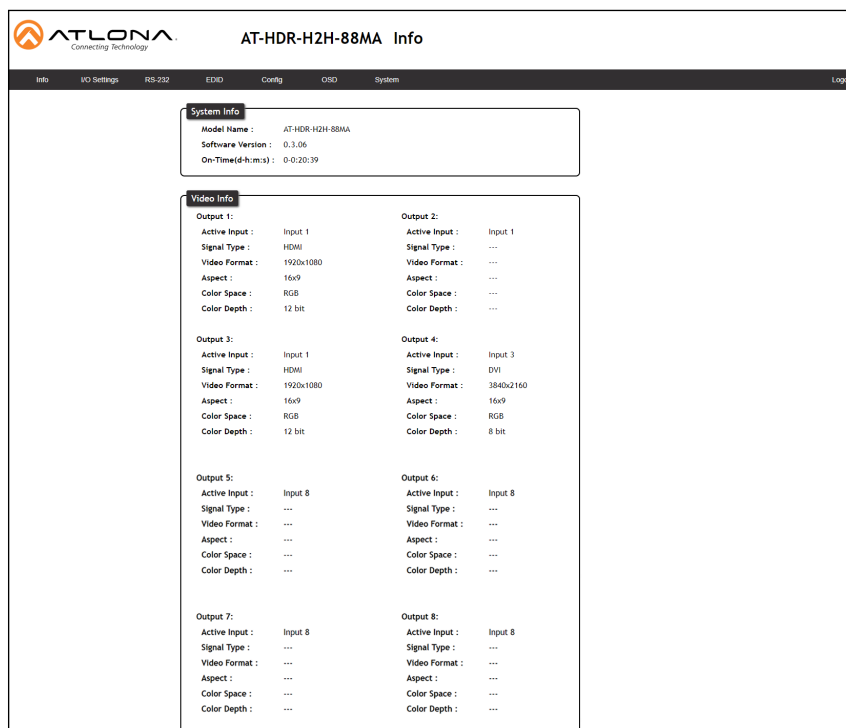


**NOTE:** If there is no IP address or the unit is not connected to a DHCP network, press and hold buttons 1 + 2 for 5 seconds to switch the unit to a static IP address. The default static IP address and netmask is 192.168.1.254 255.255.0.0.

- 2 Launch a web browser and enter the IP address of the unit.
- 3 The AT-HDR-H2H-88MA **Login** page will be displayed.
- 4 Enter the following information on the **Login** page.  
 Login: **root**  
 Password: **Atlona**
- 5 Click the **Login** button.



- 6 The info page will display, giving all the general information of the AT-HDR-H2H-88MA .



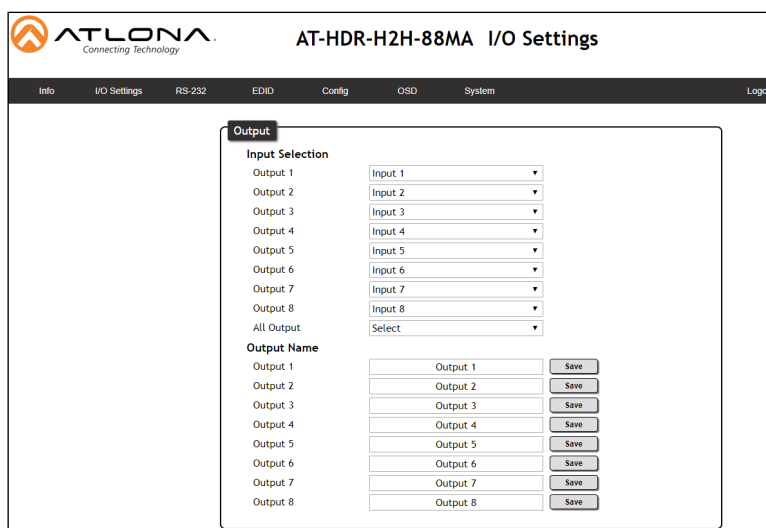
**System Info**

Model Name : AT-HDR-H2H-88MA  
 Software Version : 0.3.06  
 On-Time(d-h:m:s) : 0-0:20:39

**Video Info**

Output	Active Input	Signal Type	Video Format	Aspect	Color Space	Color Depth
Output 1:	Input 1	HDMI	1920x1080	16x9	RGB	12 bit
Output 2:	Input 1	---	---	---	---	---
Output 3:	Input 1	HDMI	1920x1080	16x9	RGB	12 bit
Output 4:	Input 3	DVI	3840x2160	16x9	RGB	8 bit
Output 5:	Input 8	---	---	---	---	---
Output 6:	Input 8	---	---	---	---	---
Output 7:	Input 8	---	---	---	---	---
Output 8:	Input 8	---	---	---	---	---

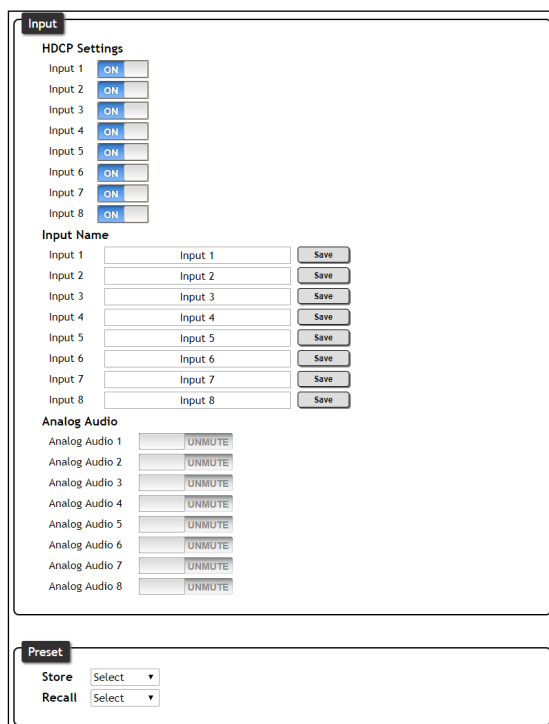
7 Select **I/O Settings** from the top menu.



### Output

Input Selection - Select the input to route to the output.

Output Name - The outputs have the option for labeling to help make routing and switching simpler. Label each output individually. Type the name in the box, and press save.



### Input

HDCP Settings - Toggle HDCP reporting between compliant (on) and non-compliant (off).

Input Name - The inputs have the option for labeling to help make routing and switching simpler. Label each input individually. Type the name in the box, and press save.

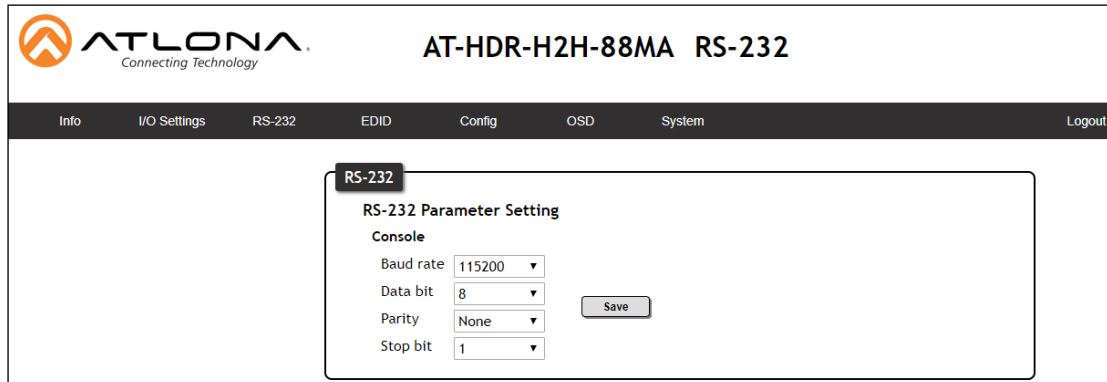
Analog Audio - Mute and unmute the output audio on the selected Analog Audio port.

### Preset

Store - Save the current I/O route to memory.

Recall - Load a previously saved I/O route.

- 8 Select **RS-232** from the top menu.



The screenshot shows the web interface for the AT-HDR-H2H-88MA device, specifically the RS-232 configuration page. The top navigation bar includes 'Info', 'I/O Settings', 'RS-232', 'EDID', 'Config', 'OSD', 'System', and 'Logout'. The main content area is titled 'RS-232 Parameter Setting' and contains the following fields:

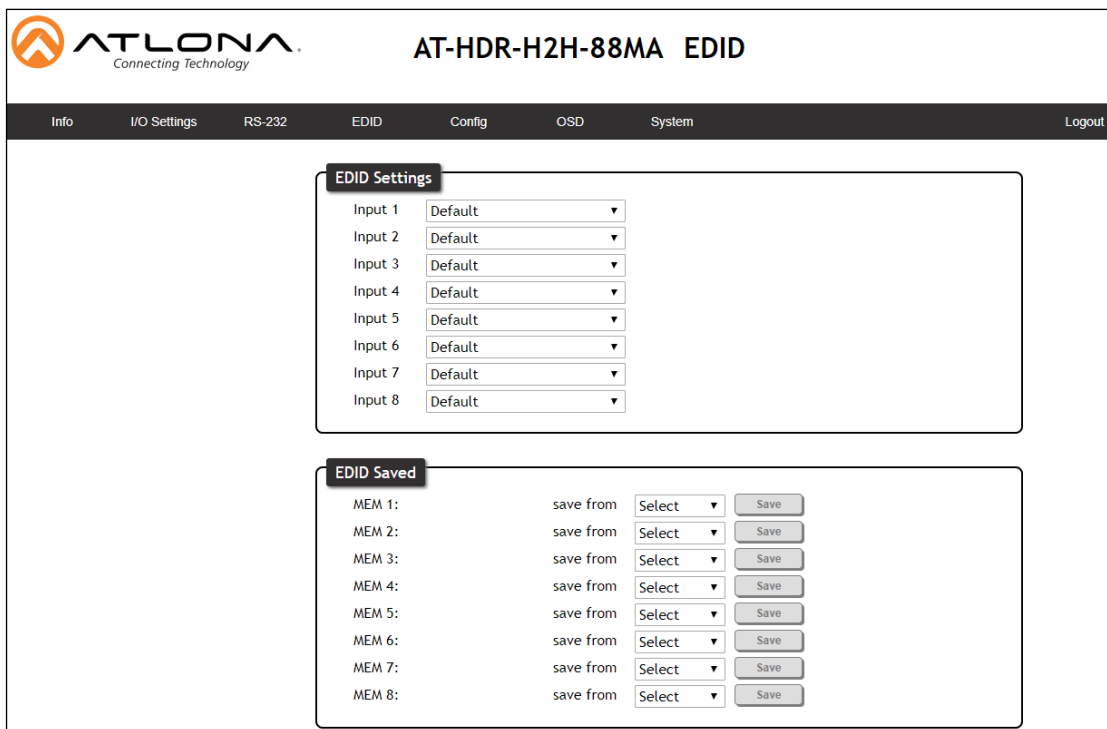
- Baud rate: 115200
- Data bit: 8
- Parity: None
- Stop bit: 1

A 'Save' button is located to the right of the parameter fields.

### RS-232 Parameter Setting

Console - Select the baud rate, data bit, parity, and stop bit. Default baud rate, data bit, parity, and stop bit is 1152000, 8, None, and 1.

- 9 Select **EDID** from the top menu.



The screenshot shows the web interface for the AT-HDR-H2H-88MA device, specifically the EDID configuration page. The top navigation bar includes 'Info', 'I/O Settings', 'RS-232', 'EDID', 'Config', 'OSD', 'System', and 'Logout'. The main content area is titled 'EDID Settings' and contains the following fields:

- Input 1: Default
- Input 2: Default
- Input 3: Default
- Input 4: Default
- Input 5: Default
- Input 6: Default
- Input 7: Default
- Input 8: Default

Below the input fields is a section titled 'EDID Saved' with the following table:

MEM	save from	Save
MEM 1:	Select	Save
MEM 2:	Select	Save
MEM 3:	Select	Save
MEM 4:	Select	Save
MEM 5:	Select	Save
MEM 6:	Select	Save
MEM 7:	Select	Save
MEM 8:	Select	Save

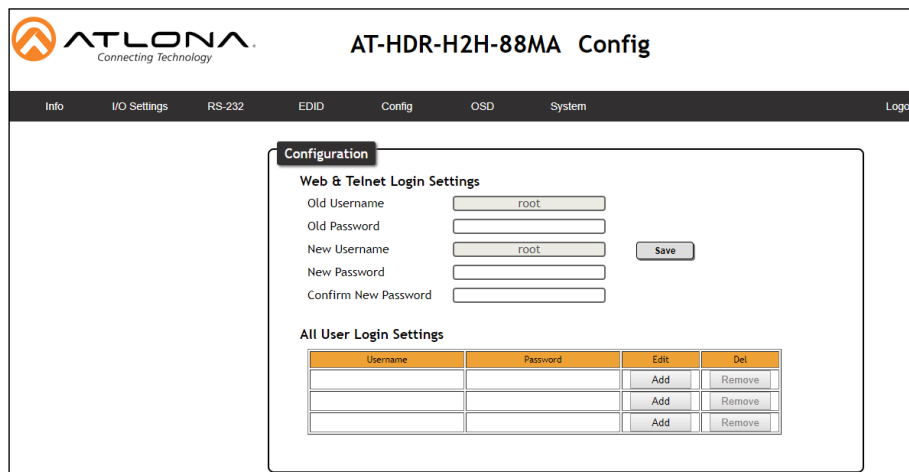
### EDID Settings

Input - Select the EDID from the drop down list.

### EDID Saved

Save from - Save the output's EDID to memory to be loaded to the inputs.

10 Select **Config** from the top menu.



**Configuration**

**Web & Telnet Login Settings**

Old Username:

Old Password:

New Username:

New Password:

Confirm New Password:

**All User Login Settings**

Username	Password	Edit	Del
		<input type="button" value="Add"/>	<input type="button" value="Remove"/>
		<input type="button" value="Add"/>	<input type="button" value="Remove"/>
		<input type="button" value="Add"/>	<input type="button" value="Remove"/>

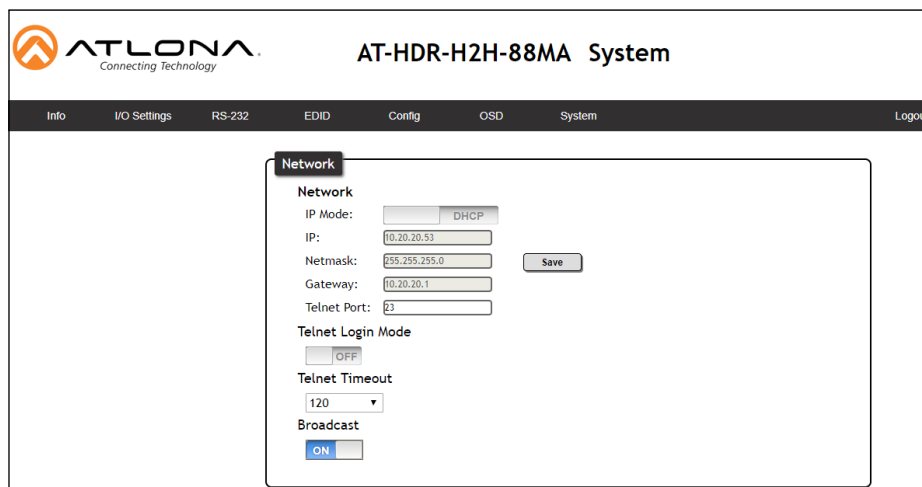
### Web & Telnet Login Settings

Password - Update the admin password then press **Save**.

### All User Login Settings

Username & Password - Add extra users for control and login.

11 Select **System** from the top menu.



**Network**

**Network**

IP Mode:

IP:

Netmask:

Gateway:

Telnet Port:

**Telnet Login Mode**

**Telnet Timeout**

**Broadcast**

### Network

IP Mode - Switch between static and DHCP modes.

IP, Netmask, Gateway, Telnet Port - This will display the current IP settings on DHCP. When set to static, fill in the IP address, netmask, gateway, and telnet port.

Telnet Login Mode - Toggle telnet login mode on and off. If on, a username and password will be required to control the unit via TCP/IP.

Telnet Timeout - Set the amount of time between actions before the current user is logged out.

Broadcast - Toggles broadcast on and off.



## System

Power - Toggles the unit between on and standby.

Lock - Lock and unlock the front panel keys.

IR - Turns the IR window on the front of the unit on and off.

Reset to Default - Select to set the unit back to the original factory settings.

Firmware Update - Press **Choose File** to search the local PC for the most recent firmware file. Press **Update** once the file is selected.



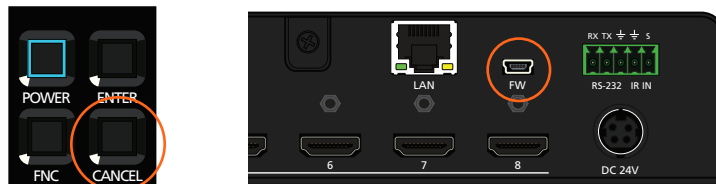
## USB Updating

The HDR-H2H can be updated through the FW port on the back of the unit, if the webGUI is not available for updating.

Requirements:

- New firmware - Downloaded from [atlon.com](http://atlon.com)
- AT-HDR-H2H-XX
- Computer running Windows
- USB-A to USB mini-B cable

- 1 Connect power to the HDR-H2H.
- 2 Press and hold the **CANCEL** button on the front panel, while connecting the USB-A to USB mini-B cable from the computer, to the **FW** port on the rear of the unit. Continue to hold down the **CANCEL** button until Step 3.



- 3 Release the **CANCEL** button once the USB UPDATE folder is displayed.

If the folder is not displayed, automatically, select the USB UPDATE drive from Windows Explorer.

- 4 Delete any files found within the USB UPDATE drive folder.
- 5 Drag and drop the new firmware file into the folder. The power LED will flash red while the unit is updating.
- 6 Once the unit has automatically rebooted and the power button's LED is back to blue, disconnected the USB cable from the unit and computer. The update is now complete.

## Appendix

### Specifications

Video	
UHD/HD/SD	4096x2160@24/25/30/50/60Hz, 3840x2160@24/25/30/50/60Hz, 2048x1080p, 1080p@23.98/24/25/29.97/30/50/59.94/60Hz, 1080i@50/59.94/60Hz, 720p@50/59.94/60Hz, 576p, 576i, 480p, 480i
VESA	2560x2048, 2560x1600, 2048x1536, 1920x1200, 1680x1050, 1600x1200, 1600x900, 1440x900, 1400x1050, 1366x768, 1360x768, 1280x1024, 1280x800, 1280x768, 1152x768, 1024x768, 800x600
Color Space	YUV, RGB
Chroma Sampling	4:4:4, 4:2:2, 4:2:0
Color Depth	8-bit, 10-bit, 12-bit
HDR	HDR10 and Dolby® Vision™ @ 60Hz

Audio	
HDMI IN / OUT	PCM 2Ch, LPCM 5.1, LPCM 7.1, Dolby® Digital, DTS® 5.1, Dolby Digital Plus™, Dolby TrueHD, DTS-HD Master Audio™, Dolby Atmos®, DTS:X®
Sample Rate	32kHz, 44.1kHz, 48kHz, 88.2kHz, 96kHz, 176.4kHz, 192kHz
Bit Rate	up to 24-bit

Distance	Feet	Meters
HDMI IN / OUT @ 4K	15	5
HDMI IN / OUT @ 1080p	30	10

Signal	
Bandwidth	18 Gbps
CEC	Yes
HDCP	2.2

Temperature	Fahrenheit	Celsius
Operating	32 to 122	0 to 50
Storage	-40 to 158	-40 to 70
Humidity (RH)	20% to 90%, non-condensing	

Power	
Consumption	43.3W
Idle Consumption	21.7 W
BTU/h	147.65 (normal) / 74 (idle)
Supply	Input: 110 - 240 VAC, 50 / 60 Hz Output: 24V DC, 2.7A

Dimensions	Inches	Millimeters
H x W x D	1.73 x 17.24 x 10.00	44.00 x 438.00 x 254.00
H x W x D, w/feet/ears	2.18 x 18.93 x 10.23	55.50 x 481.00 x 260.00
Rack Size	1 RU	

Weight	Pounds	Kilograms
Device	8.81	4

Certification	
Power Supply	CE, FCC, UL, and LVD certificates Level VI compliant
Unit	CE, FCC

Compliance	
NDAA-889	Yes
TAA	Yes

Warranty	
3 years	View the full warranty information here: <a href="https://atlona.com/warranty">https://atlona.com/warranty</a>

