

Complete AV Systems for Meeting Spaces

Meeting spaces typically include AV technology that allows participants to present content to a display or collaborate via video conferencing. Making these systems work requires integration of video, audio, USB, control, display, and networking components from several different manufacturers. Engineering, configuration, testing, and procuring these systems, as well as dependably repeating them can be difficult and time consuming.

Atlona Room Kits solve these issues by providing bundled, fast-to-install AV systems for some of the most common spaces where AV is used including huddle, conference, and training rooms.



SINGLE SKU



- Ordering from one vendor reduces paperwork, complexity, and time
- Systems ship complete reducing logistics and inventory issues
- Consistent budgeting – reliably forecast equipment costs depending on room type

FAST INSTALLATION



- Exclusive enclosure with pre-installed AV components and cables arrives ready-to-hang
- Discreetly mounts on the wall behind the display
- Reduces room down time

PRE-CONFIGURED



- Systems are engineered, assembled, configured, and tested prior to shipment
- System is 80% complete when it arrives with only site-specific parameters remaining
- Velocity™ control system pre-loaded with default configuration for each room kit, no programming required

REPEATABLE



- Standardization means more rooms can be installed faster and more reliably than customized solutions
- Every room works the same, reducing training requirements
- Support is easier due to similar equipment and limited number of configurations

Huddle Room Kit

AT-ARK-HR-104-KIT is an Atlona Room Kit designed for huddle rooms that host up to 4 individuals. It provides routing of HDMI video and USB data for laptop computers and includes a speakerphone, ePTZ camera, and automatic display control.

Recommended display size for this system is 55". Display is not included and may be purchased separately from your system provider.



Small Conference Room

AT-ARK-SC-104-KIT is an Atlona Room Kit designed for small conference rooms that host up to 6 individuals. It provides routing of HDMI video and USB data for multiple devices such as laptop computers or room PC's and includes a speakerphone, PTZ camera, and touch panel control.

Recommended display size for this system is 65". Display is not included and may be purchased separately from your system provider.



Medium Conference Room

AT-ARK-MC-104-KIT is an Atlona Room Kit designed for medium conference rooms that host up to 10 individuals. It provides routing of HDMI video and USB data for multiple devices such as laptop computers or room PC's and includes a PTZ camera and touch panel control. It also features an upgraded microphone, DSP, amplifier, and ceiling speakers for audio performance consistent with the larger space.

Recommended display size for this system is 75". Display is not included and may be purchased separately from your system provider.



Training Room

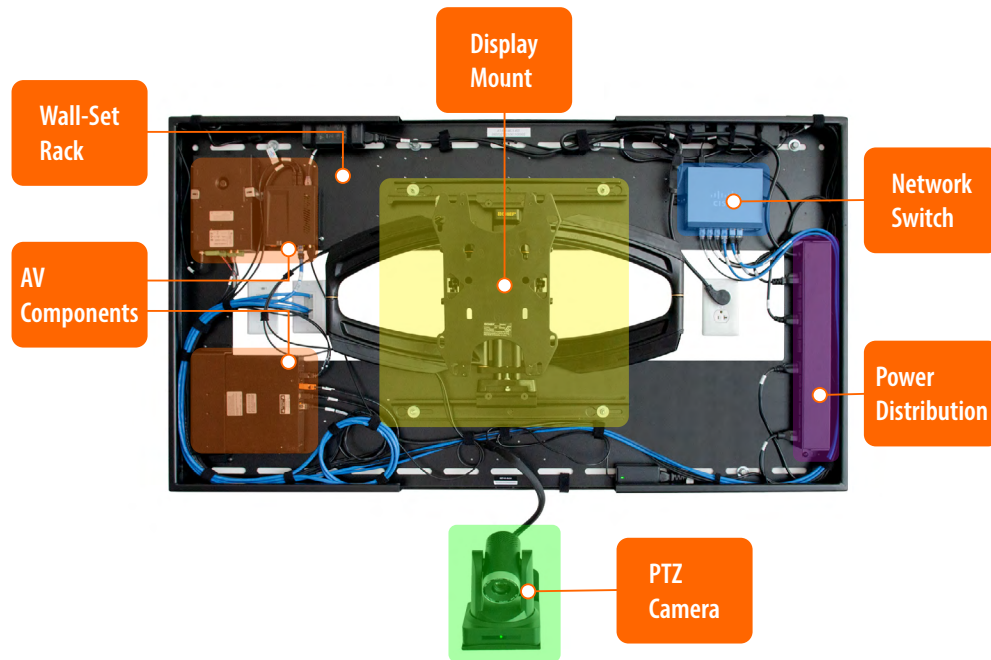
AT-ARK-TR-201-KIT is an Atlona Room Kit designed for training rooms that host sessions of up to 20 people. It provides routing of HDMI video and USB data for multiple devices, including remote inputs from instructors and students. The kit also features touch panel control, two PTZ cameras, support for a second display, and even more audio capabilities that suit the size and nature of the room.

Recommended display size for this system is 85". Displays are not included and may be purchased separately from your system provider.



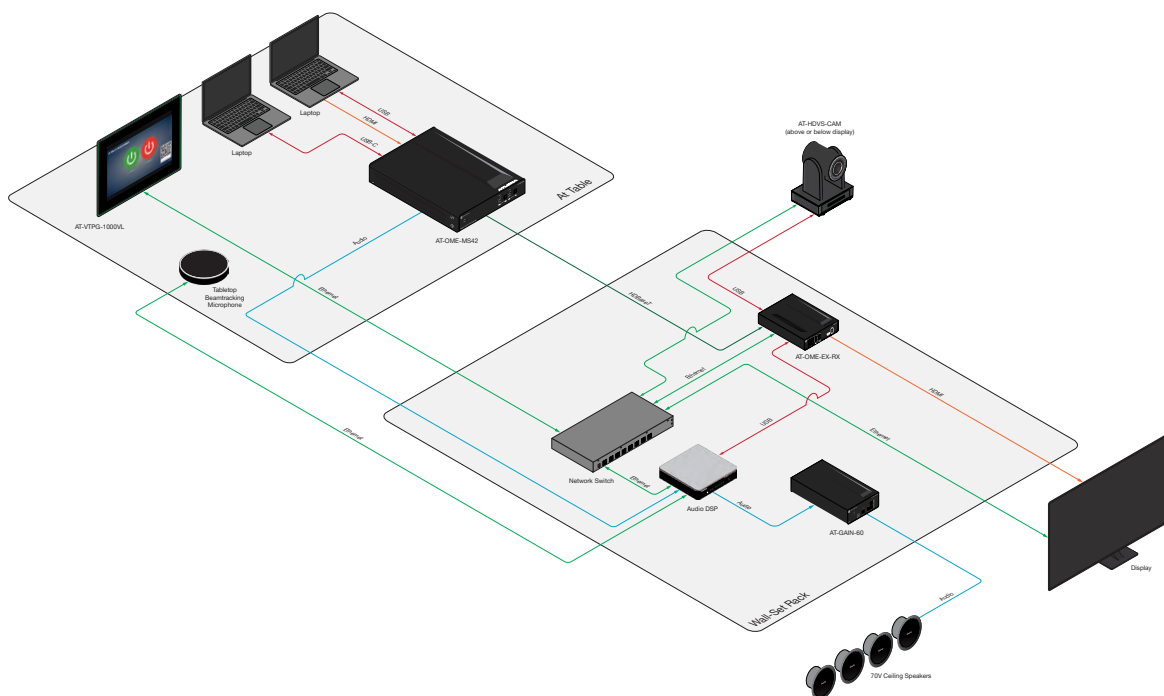
Exclusive Wall-Set Rack

Atlona Room Kit solutions include an exclusive wall-mounted rack that arrives ready-to-hang with equipment and cabling pre-installed. The sleek, low-profile enclosure discreetly mounts behind the display, and dramatically reduces installation time.



At the heart of every Atlona Room Kit are sophisticated Atlona AV technologies including:

- **Omega Series** switching, extension, and video processing solutions. In addition to AV, Omega also integrates USB allowing users to gain access the high-performance camera and audio capabilities of the room.
- **Velocity** all-in-one touch panel control system with an intuitive graphical user interface for convenient access to system on/off, source switching, audio levels, PTZ controls, and a variety of other functions.
- **AT-HDVS-CAM** which delivers professional-quality video that is far superior to a conventional webcam and motorized pan, tilt, and zoom for precise framing of meeting participants.



AT-ARK-MC-104-KIT Medium Conference room diagram

Atlona Room Kits are only sold through distributor-partners in the US and Canada

70 Daggett Drive, San Jose, CA USA 95134 | Telephone: +1.408.962.0515 | International: +41.43.508.4321 | www.atlona.com

© 2022 Atlona Inc., a Panduit Company. All rights reserved. All brand names and trademarks or registered trademarks are the property of their respective owners.